



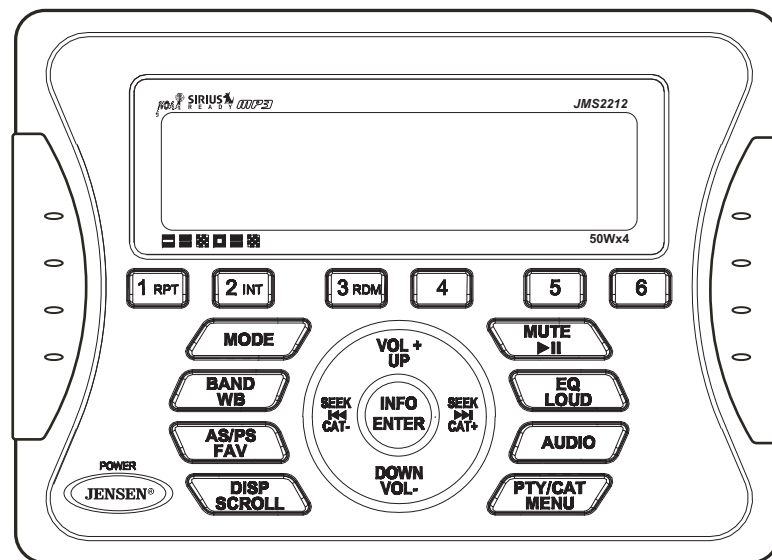
M A R I N E

# JMS2212

MARINE AUDIO SYSTEM

## Installation and Operation Manual

Manual de la Instalación y Operación / Guide d'installation et d'opération



iPhone, iPod, iPod classic, iPod nano, iPod shuffle, and iPod touch are trademarks of Apple Inc., registered in the U.S. and other countries.

El iPhone, iPod, iPod classic, iPod Nano, iPod Shuffle, y el tacto de iPod son marcas registradas de Apple Inc., registradas en los E.E.U.U. y otros países.

iPhone, iPod, iPod classic, iPod nano, iPod shuffle, et iPod touch sont les marques déposées d'Apple Inc., enregistrées aux Etats-Unis et en d'autres pays.

## CONTENTS

Safety Information .....	1
Installation .....	2
Wiring .....	4
Basic Operation .....	5
Tuner Operation .....	7
Digital File Playback .....	9
SIRIUS Radio Operation .....	10
iPod® Operation .....	12
Care and Maintenance .....	14
Troubleshooting .....	14
Specifications .....	15

## CONTENIDO

Información de Seguridad.....	17
Instalación .....	18
Cableado .....	20
Operación Básica .....	21
Operación de Sintonizador .....	23
Reproducción de Archivo Digital .....	25
Operación de Radio SIRIUS .....	26
Operación del ipod® .....	28
Cuidado y Mantenimiento .....	30
Solución de Problemas .....	30
Especificaciones.....	31

## TABLE DES MATIÈRES

Informations sur la securite.....	33
Installation .....	34
Câblage .....	36
Operation de base.....	37
Operation tuner .....	39
Reproduction numerique du fichier .....	41
Operation de radio SIRIUS .....	42
Opération iPod® .....	44
Soin et entretien.....	46
Dépannage .....	46
Caracteristiques.....	47

“Made for iPod” and “Made for iPhone” mean that an electronic accessory has been designed to connect specifically to iPod or iPhone respectively, and has been certified by the developer to meet Apple performance standards. Apple is not responsible for the operation of this device or its compliance with safety and regulatory standards. Please note that the use of this accessory with iPod or iPhone may affect wireless performance.

“Made for iPod” y “Made for iPhone” que un accesorio electrónico se ha diseñado para conectar específicamente con iPod o el iPhone respectivamente, y ha sido certificado por el revelador para cumplir estándares de funcionamiento de Apple. Apple no es responsable de la operación de este dispositivo o de su conformidad con seguridad y estándares reguladores. Observe por favor que el uso de este accesorio con iPod o iPhone puede afectar a funcionamiento sin hilos.

« Made for iPod » et « Made for iPhone » signifient que l'accessoire électronique a été conçu pour se brancher spécifiquement à l'iPod ou à l'iPhone, et a été certifié par le développeur qu'il est conformer aux standards de performance d'Apple. Apple n'est pas responsable pour l'opération de ce dispositif ni de sa conformité aux standards de sécurité et de réglementation. Veuillez noter que l'utilisation de cet accessoire avec l'iPod ou l'iPhone peut affecter la performance sans fil.

## **SAFETY INFORMATION**

### ***When Boating***

Keep the volume level low enough to be aware of your surroundings.

### ***Protect from Water***

Do not submerge or expose the product directly to water, as this can cause electrical shorts, fire or other damage.

### ***Protect from High Temperatures***

Exposure to direct sunlight for an extended period of time can produce very high temperatures inside your vessel. Give the interior a chance to cool down before starting playback.

Do not mount radio within close proximity of engine compartment.

### ***Use the Proper Power Supply***

This product is designed to operate with a 12 volt DC negative ground battery system.

### **WARNING:**

- DO NOT OPEN, DISASSEMBLE OR ALTER THE UNIT IN ANY WAY. Doing so may result in fire, electric shock or product damage.
- USE THE CORRECT AMPERE RATING WHEN REPLACING FUSE. Failure to do so may result in fire, electric shock or product damage.
- DO NOT INSTALL IN LOCATIONS THAT MIGHT HINDER VEHICLE OPERATION. Doing so may obstruct vision or hamper movement which can result in a serious accident.
- INSTALL THE WIRING SO THAT IT IS NOT CRIMPED OR PINCHED BY SCREWS OR SHARP METAL EDGES. Route the cables away from moving parts or sharp pointed edges. This will prevent crimping and damage to the wiring. If the wiring must pass through a metal hole, be sure to use a rubber grommet to prevent the wire's insulation from being cut by the metal edge of the hole. It is also recommended to apply sealing caulk to any opening that may potentially allow water to enter.
- Be sure to choose a location that is flat and has clearance above the unit to prevent any damage, as well as allow for ventilation.
- Before drilling any holes, carefully inspect the area underneath and behind the mounting surface where the devices will be mounted to make sure it will not interfere with existing wires, fuel lines, the fuel tank or any other objects that could be damaged.
- Always disconnect the vehicle negative battery terminal to prevent accidental shorting during installation.

# INSTALLATION

## Before You Begin

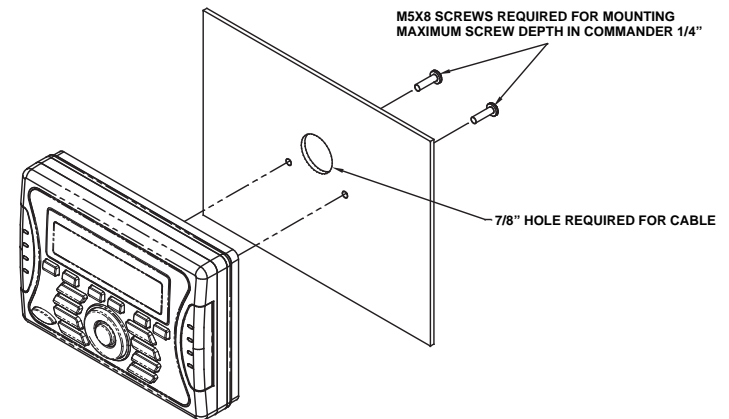
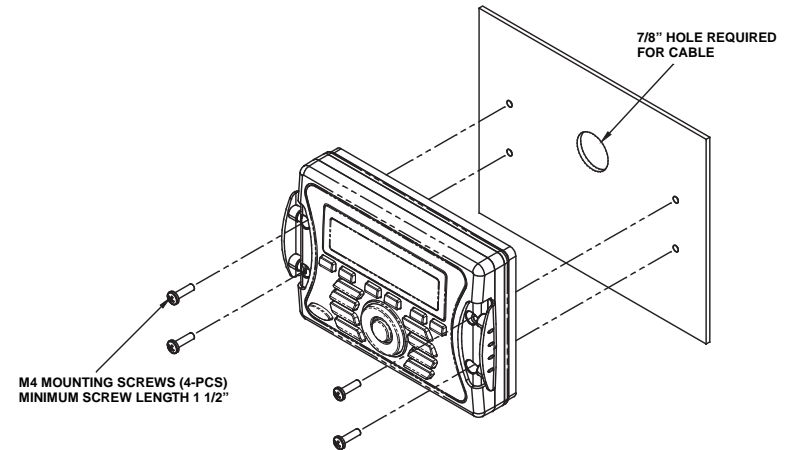
Before you begin, always disconnect the battery negative terminal.

## Important Notes

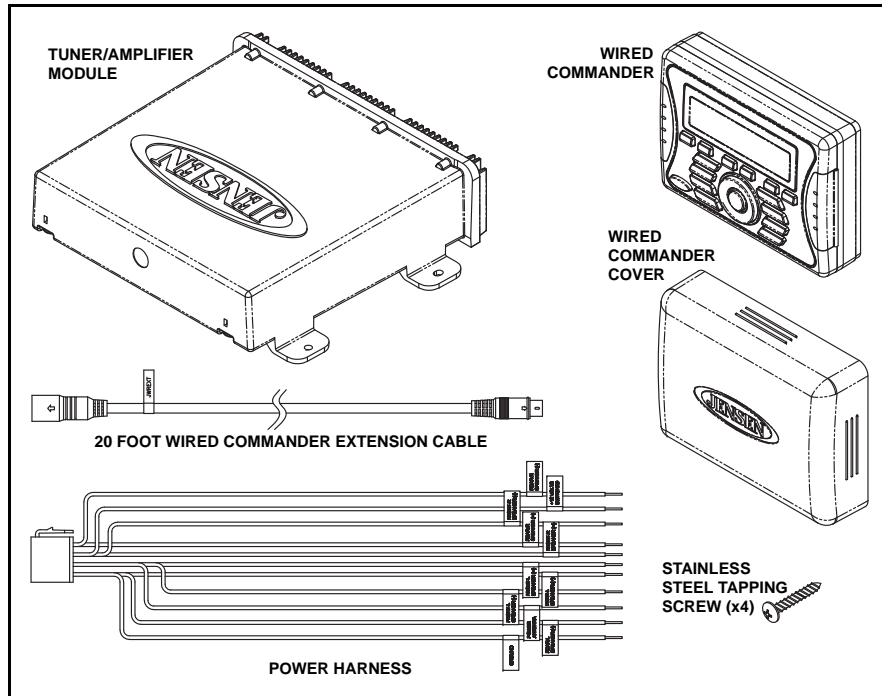
- Before final installation, test the wiring connections to make sure the unit is connected properly and the system works.
- Use only the parts included with the unit to ensure proper installation. The use of unauthorized parts can cause malfunctions.
- Consult with your nearest dealer if installation requires the drilling of holes or other modifications to your vessel.
- Install the unit where it does not interfere with driving and cannot injure passengers if there is a sudden or emergency stop.
- Avoid installing the unit where it will be subject to high temperatures from direct sunlight, hot air, or from a heater, or where it would be subject to excessive dust, dirt or vibration.

## Wired Commander Mounting

1. Choose a mounting area for the wired commander that is clean and flat, allowing the rear gasket to fully seal to the mounting surface.
2. Secure the wired commander using either of the recommended mounting methods detailed in the diagrams below.

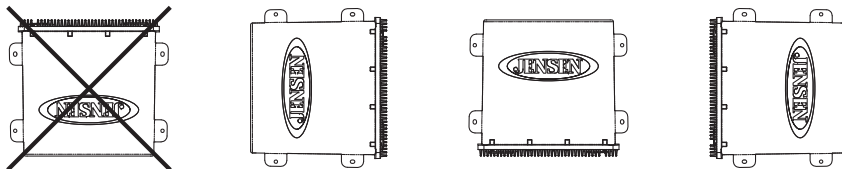


### Hardware Kit Contents



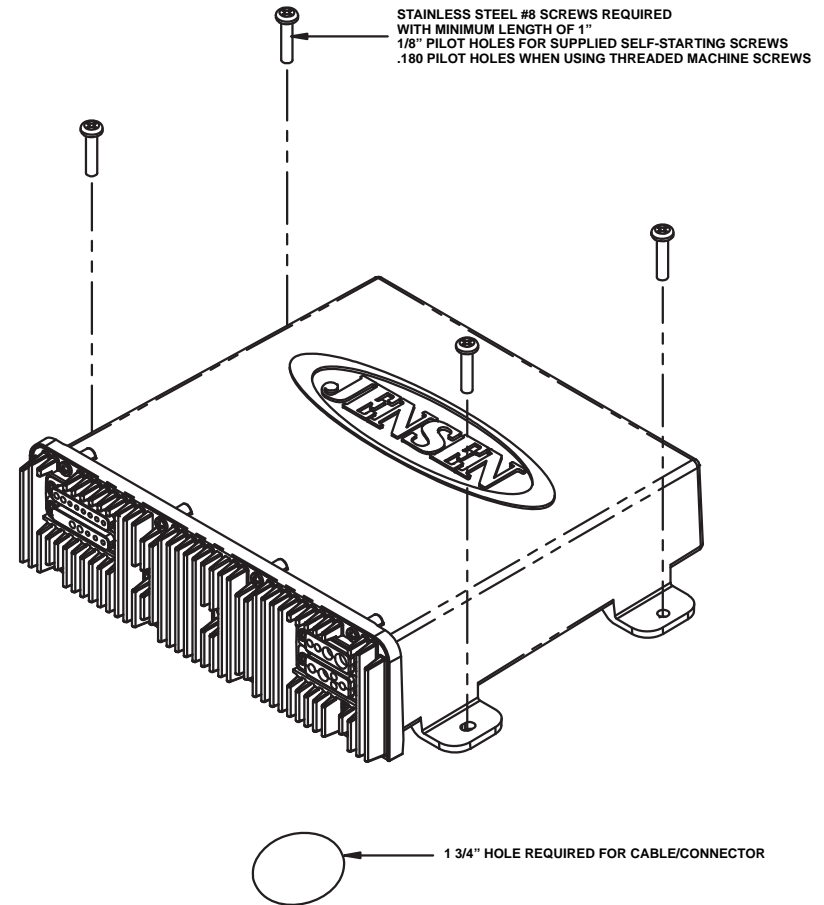
### Tuner/Amplifier Mounting

1. Choose a mounting area for the tuner/amplifier module that will provide plenty of ventilation to prevent the amplifier from overheating. The tuner/amplifier module can be mounted in the horizontal or vertical position. Please note that when mounting in vertical position, do not mount with the harness exit points facing straight up, as water can collect around the chassis in these areas.



2. Using the shortest length of the recommended size screws possible, mount the tuner/amplifier as detailed in the diagram on the right.
3. Route the tuner/amplifier harness and cable throughout the vessel as required. Keep some slack in the harness/cables so it won't be too tight, as this can cause damage to the wires.

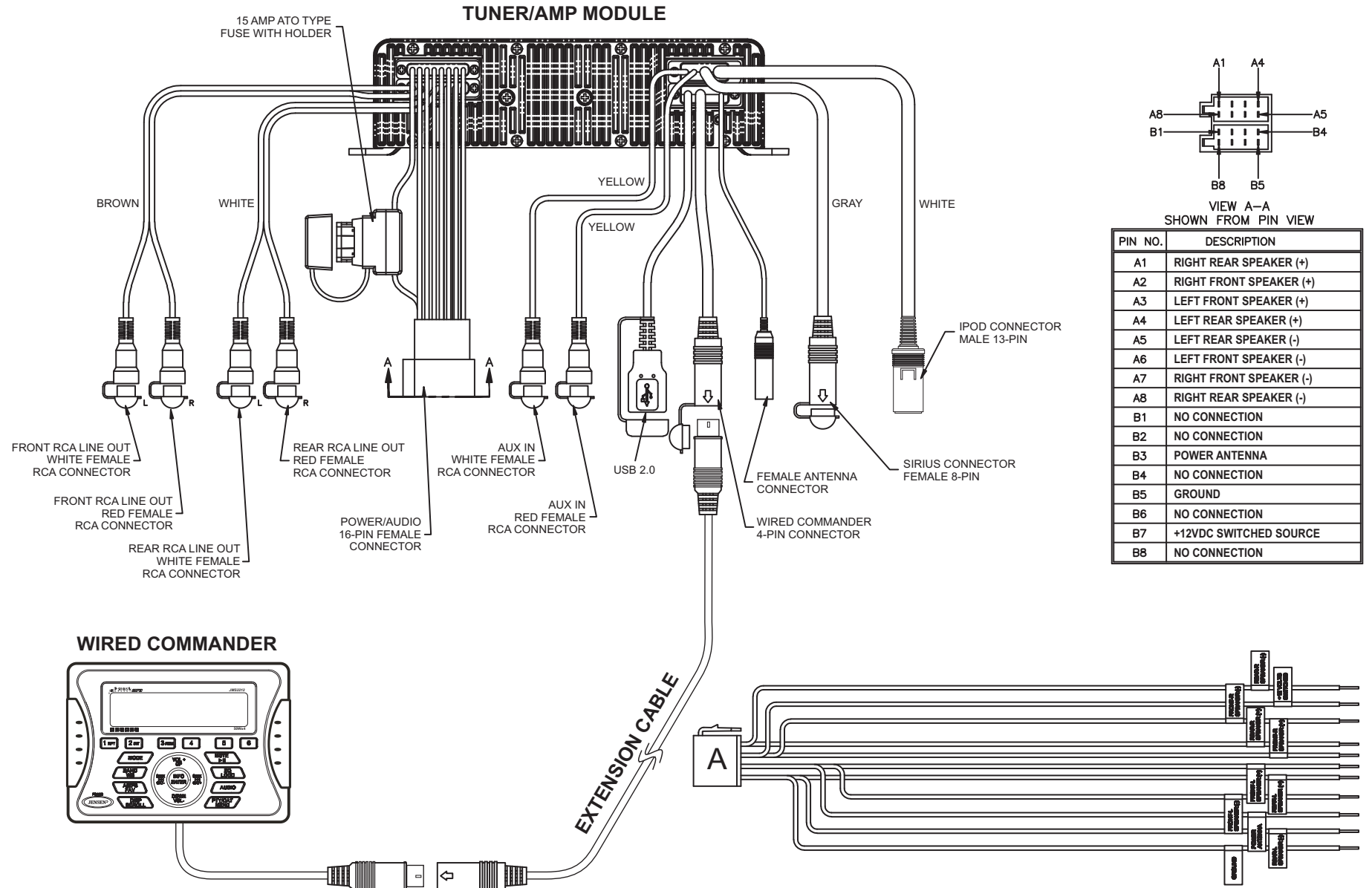
4. Follow the wiring diagram carefully and make certain all connections are secure and insulated with crimp connectors or electrical tape to ensure proper operation.
5. After completing the wiring connections, reconnect the negative terminal on the battery and turn the unit on to confirm operation (vessel accessory switch must be on). If the unit does not operate, disconnect battery, recheck all wiring and refer to the trouble-shooting guide located in the back of the manual.



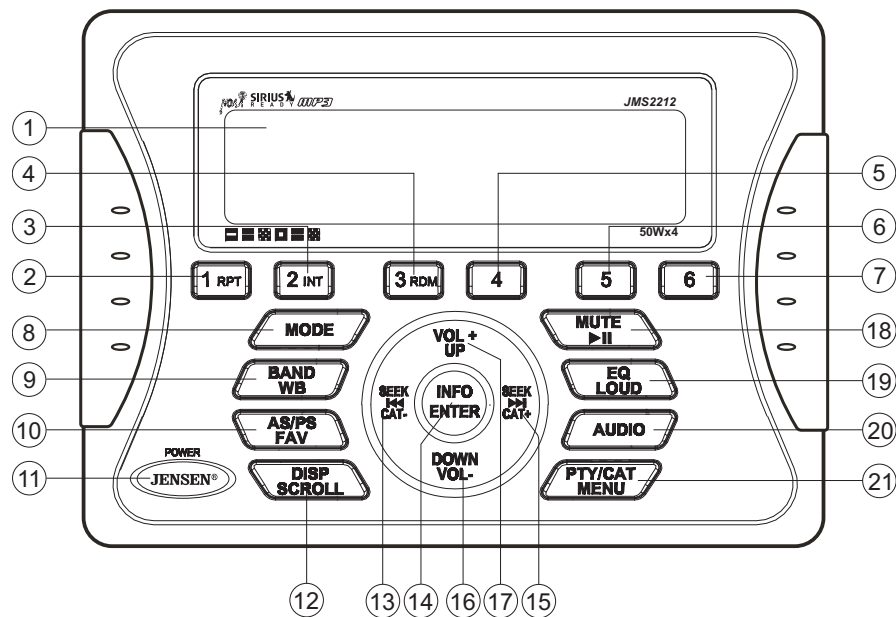
### Reconnect Battery

When wiring is complete, reconnect the battery negative terminal.

**WIRING**



## BASIC OPERATION



### Power On/Off

Press the **POWER** button (11) to turn the unit on or off. The unit will resume the last mode (Tuner, Aux, etc.).

### Volume Control

To increase the volume, press the **VOL +** button (17). To decrease the volume, press the **VOL -** button (16). The maximum volume level is "40". While adjusting the volume, the LCD displays a bar graph and numerical representation of the level.



### Mute

Press the **MUTE** button (18) on the control panel to mute the audio output. Press **MUTE** again to restore the audio output to the previous level.

### Mode

Press the **MODE** button (8) on the control panel to select a different mode of operation, as indicated on the display panel. Available modes include Tuner (AM/FM), SAT (SIRIUS), iPod, USB and Auxiliary.

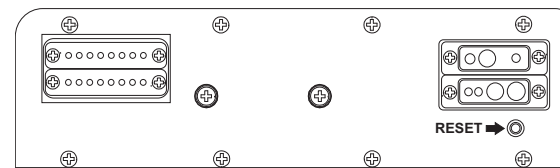
**NOTE: SIRIUS and iPod® mode will be skipped if the module/device is not installed.**

### Reset

The reset button should be activated for the following reasons:

- initial installation of the unit when all wiring is completed
- function buttons do not operate
- error symbol on the display

Use a ball point pen or thin metal object to press the **RESET** button, located on the tuner box.



You can recover factory default settings using the **RESUME** function located on the system menu. With "YES" flashing, press the **MODE** button (8) to activate.

### Audio Menu

Press the **AUDIO** button (20) on the control panel to access the audio menu. You can navigate through the audio menu items by pressing the **AUDIO** button repeatedly. Once the desired menu item appears on the display, adjust that option by pressing the **VOL +/-** buttons (17, 16) within 5 seconds. The unit will automatically exit the audio menu after five seconds of inactivity. The following menu items can be adjusted.

#### Bass Level

Use the **VOL +/-** buttons to adjust the Bass level range from "-7" to "+7".

#### Treble Level

Use the **VOL +/-** buttons to adjust the Treble level range from "-7" to "+7".

#### Balance

Use the **VOL +/-** buttons to adjust the Balance between the left and right speakers from "L12" (full left) to "R12" (full right).

#### Fader

Use the **VOL +/-** buttons to adjust the Fader between the rear and front speakers from "R12" (full rear) to "F12" (full front).

## System Menu

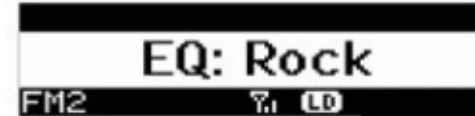
1. Press and hold the **PTY/CAT/MENU** button (21) for more than 2 seconds to enter the system menu. The first menu item, "Key Beep", will appear on the display.
2. Press the **VOL +/-** buttons (17, 16) repeatedly to navigate the system menu.
3. Press the **INFO/ENTER** button (14) to adjust the highlighted menu item.
4. Press the **PTY/CAT/MENU** button to exit the system menu.

The following items can be adjusted:

- Key Beep (Click / Beep / Off): Turn the audible beep On/Off (heard when functions/ buttons are selected).
- LCD Backlight (1-10): Adjust LCD brightness.
- LCD Contrast (1-10): Adjust LCD contrast.
- Tuning Region (USA / EUROPE): Set frequency spacing for various regions.
- Preset-Only Tuning (On / Off)
- SIRIUS Satellite Radio (only appears when SIRIUS tuner is connected and in SIRIUS mode)
  - Clear Skipped Channels (Yes / No)
  - Skipped Channels: List of Channels (Skipped / Visible)
  - Set Lock Code: \_ \_ \_ \_
  - Locked Channels: List of Channels (Locked / Unlocked)
  - Enable Song Seek (Yes / No)
  - Edit Favorite Songs: List of Favorite Songs (Enable / Disable / Delete)
- iPod Auto-Select (On / Off): Choose "On" to automatically detect and playback iPod when connected or "Off" to use the **MODE** button (8) to select the iPod source.
- Rear Aux Enable (On / Off): Turn on to allow the use of auxiliary audio input at the rear of the radio chassis.
- Battery Alarm (Off / On): When On, if the battery supply voltage drops below 10.8V, indicating a possible problem with the vessel's battery charging system, the radio will issue a low battery display warning and an audio beep once per minute. The warning and sound will continue until the unit is turned off or the voltage is restored to more than 10.8 Volts.
- Battery Auto-Off (Off / On)
- Reset To Defaults <ENTER>: Press the **INFO/ENTER** button (14) to return the JMS2212 to factory default set up values.
- Update Firmware <ENTER>: Press the **INFO/ENTER** button (14) to apply recent software updates.

## Equalizer

Press the **EQ/LOUD** button (19) to choose one of the following pre-defined bass and treble curves: USER > FLAT > ROCK > CLASSICAL > POP.



## Loudness

Press and hold the **EQ/LOUD** button (19) to toggle loudness on/off. When listening to music at low volumes, this feature will boost the bass and treble ranges to compensate for the characteristics of human hearing.

## Auxiliary Input

To access an auxiliary device:

1. Connect the portable audio player to the AUX IN cables on the back of the radio.
2. Press the **MODE** button (8) to select "Auxiliary" mode.
3. Press **MODE** again to exit "Auxiliary" mode and access another mode.

## Liquid Crystal Display (LCD)

The current frequency and activated functions are shown on the LCD panel (1).

---

**NOTE: LCD panels may take longer to respond when subjected to cold temperatures for an extended period of time. In addition, the visibility of the numbers on the LCD may decrease slightly. The LCD display will return to normal when the temperature increases to a normal range.**

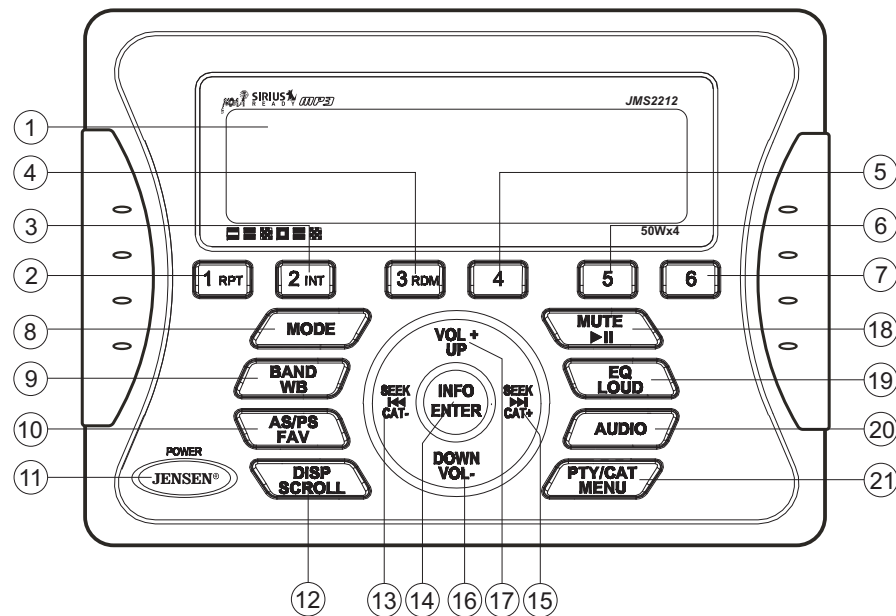
---

## Scroll

When the information is too long to be displayed on the LCD, press and hold the **DISP/SCROLL** button (12) to view the entire title. The information will scroll twice and then return to abbreviated text.



# TUNER OPERATION



## Select a Band

Press the **BAND/WB** button (9) to change between three FM bands and two AM bands. Press and hold the **BAND/WB** button to access the Weatherband (WB).

## Manual Tuning

Press the **SEEK >>|** or **|<<** buttons (15, 13) to seek stations up/down step by step.

## Auto Seek Tuning

Press and hold the **SEEK >>|** or **|<<** buttons (15, 13) to automatically seek the next or previous strong station.

**NOTE:** Seek tuning is not available for weather band channels. Use the up or down tuning buttons to manually select any of the seven available weather band channels.

## Preset Stations

Six numbered preset buttons store and recall stations for each band.

## Store a Station

Select a band (if needed), then select a station. Press and hold a 1-6 preset button for two seconds. The preset number will appear in the display.

## Recall a Station

Select a band (if needed). Press a 1-6 preset button to select the corresponding stored station.

## Automatically Store / Preset Scan (AS/PS)

### Automatically Store

Select an AM or FM band. Press and hold the **AS/PS/FAV** button (10) for more than 2 seconds to automatically select 18 strong stations (12 for AM). "Storing Presets" appears on the screen and the new stations replace any stations already stored.

### Preset Scan

Select a band. Press **AS/PS/FAV** button (10) to scan stations stored in the current band. The unit will pause for 5 seconds at each preset station. Press **AS/PS/FAV** again to stop scanning when the desired station is reached.

## RBDS Operation

This unit is equipped to display RBDS (Radio Broadcast Data Service) information when broadcast by the radio station.

**NOTE:** Radio stations broadcasting RBDS may not be available in your listening area.

In FM radio mode, press the **PTY/CAT/MENU** button (21) to access the PTY menu and choose from the following Program Type (PTY) options: ANY / News / Information / Sports / Talk / Rock / Classic Rock / Adult Hits / Soft Rock / Top 40 / Country / Oldies / Soft / Nostalgia / Jazz / Classical / Rhythm and Blues / Soft Rhythm & Blues / Foreign Language / Religious Music / Religious Talk / Personality / Public / College / Weather / Emergency Test / ALARM! ALARM!

To search for stations in a PTY category:

1. Press the **PTY/CAT/MENU** button (21) to view the current PTY category.
2. Press the **SEEK >>|** or **|<<** buttons (15, 13) to move through the list of available categories and select the program type you wish to search.
3. After selecting the desired PTY, press the **INFO/ENTER** button (14) to search the band for broadcasts of this type. "PTY Search" is displayed while the tuner is searching.

**NOTE:** Performing a PTY search on "ANY" will Seek Tune and stop on any station broadcasting RBDS, regardless of the program type.

## Weather Band Operation

### ***What is the NOAA Weather Radio/Weatheradio Canada?***

NOAA (National Oceanic and Atmospheric Administration) is a nationwide system that broadcasts local weather emergency information 24 hours a day via the National Weather Service (NWS) network. The U.S. network has more than 530 stations covering the 50 states as well as the adjacent costal waters, Puerto Rico, the U.S. Virgin Islands and the U.S. Pacific Territories. Each local area has its own transmitting station and there are a total of seven broadcasting frequencies used. A similar system is available in Canada under the Weatheradio Canada service administered by Environment Canada.

### ***Tuning to Weatherband***

Press and hold the **BAND/WB** button (9) to access the Weatherband. The indication "WB" will appear on the display panel, along with the current number and channel indication: "WB-1", "WB-2", "WB-3", "WB-4", "WB-5", "WB-6" or "WB-7". The seven frequencies are shown in the following table:

**Table 1: WB Frequencies**

Frequency (MHz)	Preset
162.400	2
162.425	4
162.450	5
162.475	3
162.500	6
162.525	-
162.550	1

The above table also shows which preset button will access the frequency. Note that one frequency cannot be accessed using a preset button. The frequency can only be reached using the tuning controls.

Use the **SEEK >>|** or **|<<** buttons (15, 13) or the preset buttons to tune to each of the seven channels until you find the weatherband station broadcasting in your area.

### ***How many stations can I expect to receive?***

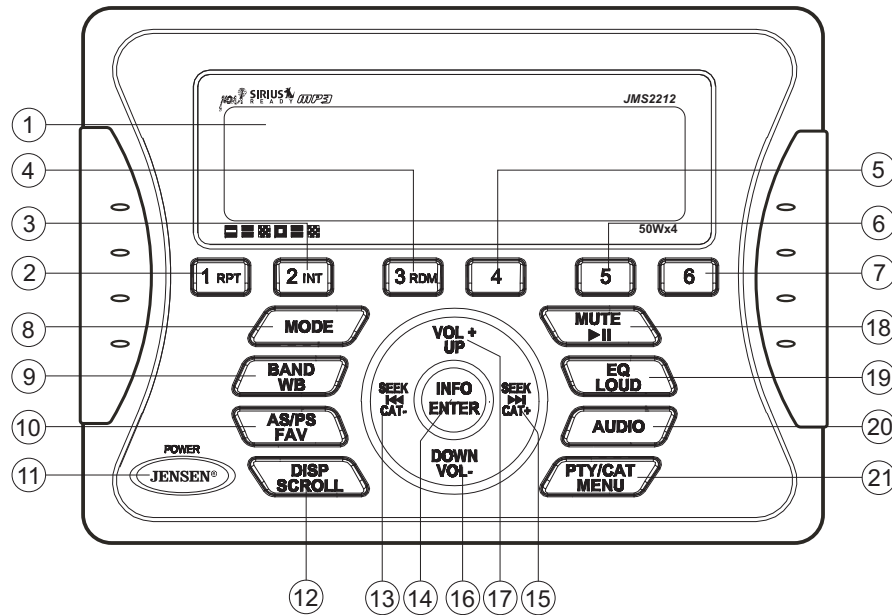
Since the broadcasts are local weather and information, the transmission power is usually very low (much less than standard AM or FM stations) so you will usually receive only one station unless you are on the edge of two or more broadcast signals. The most you will receive will be two or three, and that is rare.

### ***Is it possible I won't receive any stations?***

Depending on where you are located, there is a possibility you will receive only a very weak signal or none at all. Also, similar to AM and FM signals, weatherband signals are subject to surrounding conditions, weather, obstructions of the signal by hills or mountains, etc.

## DIGITAL FILE PLAYBACK

If the user connects a USB mass storage device, the radio automatically powers on, if necessary, and switches to digital file playback mode and selects that physical media. The bottom left corner of the LCD displays the name of the source. Changing modes or turning off the radio pauses playback. Playback will resume exactly where paused when returning to digital file playback mode.



### Inserting a USB Device

The wired USB connector is at the rear of the radio. Insert a USB device to automatically access USB mode and begin playback.

### Controlling File Playback

#### Selecting Files

Press the **SEEK >>|** (15) or **SEEK <<|** (13) to advance to the next track/file in the current folder. The selected track number will appear on the display. *Press and hold the SEEK >>|* or *<<|* button to fast forward or fast reverse. Playback resumes when the button is released.

#### Play/Pause

Press the **MUTE >||** button (18) to suspend playback. "Pause" is displayed on the screen. Press the **MUTE >||** button again to resume play.

#### Repeat Play

- Press the **1/RPT** button (2) during disc play to repeat the current track.
- Press **1/RPT** again to stop repeat play.

#### Previewing Tracks

Press the **2/INT** button (3) to play the first 10 seconds of each track in the current folder sequentially. Press **2/INT** again to stop Intro Scan and resume normal play at the current track.

#### Random Play

- Press the **3/RDM** button (4) during disc play to play all tracks in the current folder in random, shuffled order.
- Press **3/RDM** again to stop random play.

#### Folder Navigation (MP3 Only)

- Press the **PTY/CAT/MENU** button (21) to view a list of all songs in the current folder.
- Press the **PTY/CAT/MENU** button again to navigate up through the file structure.
- Press the **VOL +/UP** (17) and **DOWN/VOL -** (16) buttons to navigate the list.
- Press the **INFO/ENTER** button (14) to play the highlighted song or view files in the selected folder. Continue pressing **INFO/ENTER** until the desired file is selected.

The unit will automatically exit the folder navigation menu after 5 seconds of inactivity.

## MP3 Specifications

#### Notes on MP3 Playback

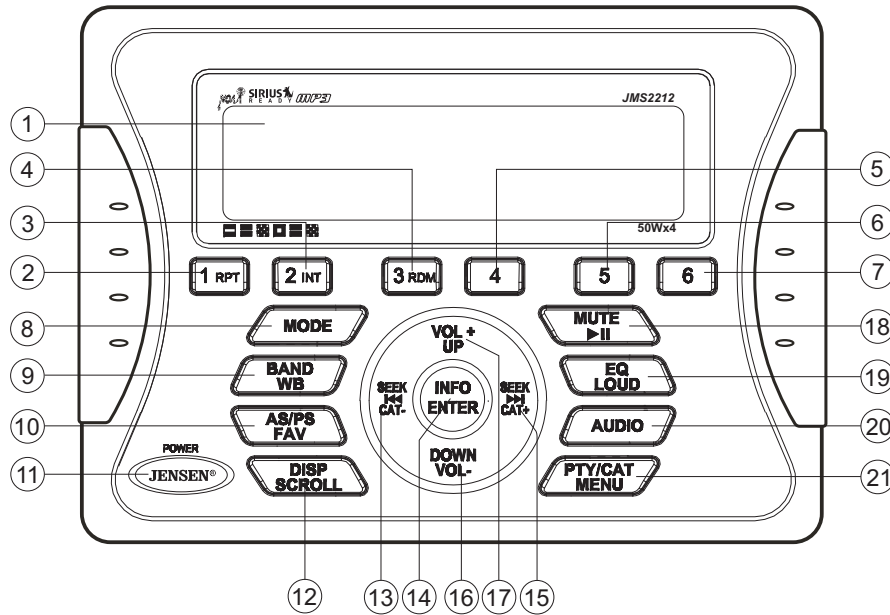
- Any directory that does not include an MP3 file is skipped
- Maximum number of folders: 512 (including skipped directories)
- Maximum number of folder levels: 12
- Maximum number of MP3 files: 999
- Maximum number of characters for MP3 file name and folder name: 32
- Sampling frequency: 16KHz, 22.05KHz, 24KHz, 32KHz, 44.1KHz, 48KHz
- Bit rates: maximum 384 Kbps
- Maximum number of Characters of ID3 Tag:
  - ID3 Tag version 1.0: 32
  - ID3 Tag version 2.x: 32

#### File Playing Order

Files will be continually played sequentially within the current folder. To play songs in another folder, press the **PTY/CAT/MENU** button (21) twice to move up a folder level. Press the **VOL +/UP** (17) and **DOWN/VOL -** (16) buttons to navigate the list and then press the **INFO/ENTER** button (14) to access the selected song or folder.

You can set the order in which MP3/WMA are to be played by storing them with their file names beginning with play sequence numbers such as "01" to "99".

# SIRIUS RADIO OPERATION



**NOTE:** SIRIUS is available in the US for subscribers with addresses in the continental US and is available in Canada for subscribers with a Canadian address. Required subscription plus compatible SIRIUS tuner and antenna are required and sold separately. To subscribe to SIRIUS Satellite Radio on the internet, visit [sirius.com](http://sirius.com), or call 888-539-7474. Have your SIRIUS ID ready (SIRIUS ID is located on the back of the SIRIUS tuner or by tuning to Channel 0). SIRIUS programming is subject to change. Visit [sirius.com](http://sirius.com) for the most complete and up-to-date channel lineup and product information. "SIRIUS" and the SIRIUS dog logo and related marks are trademarks of Sirius Satellite Radio Inc. All rights reserved.

## Switching to SIRIUS Satellite Radio (Requires optional SIRIUS tuner)

Press the **MODE** button (8) as many times as necessary to change the mode to SIRIUS radio mode.

## Accessing your SIRIUS RADIO ID

To display your SIRIUS radio ID, use the **SEEK <</CAT-** button (13) to tune to channel "000". The screen will display "SIRIUS ID" with the SID displayed in the middle of the LCD screen. The SIRIUS radio ID is 12 characters long.

## Selecting a Band

In SIRIUS mode, press the **BAND/WB** button (9) to access the SIRIUS user-preset channel groups in the following order: SR1, SR2, SR3.

## Category Tuning

1. Press the **PTY/CAT/MENU** button (21) to access Category mode.
2. While in category mode, press **SEEK >>/CAT+** or **SEEK <</CAT-** buttons (15, 13) to choose a category.
3. Press the **VOL +/-** buttons (17, 16) to choose desired channels in that category. (The current channel number within the chosen category will always be the default first channel tuned.)
4. Press the **INFO/ENTER** button (14) to play the highlighted channel and return to channel tuning mode.

## Channel Up/Down Tuning

Press the **SEEK <</ >>/** buttons (13, 15) to search for a channel. *Press and hold* the **SEEK** buttons to fast search.

## Direct Tuning Mode

1. *Press and hold* the **INFO/ENTER** button (14) to enter direct tuning mode.
2. Press **VOL +/-** buttons (17, 16) to change the first of three digits for the desired channel in the direct entry screen.
3. Press the **INFO/ENTER** button to confirm the entered digit and move to the second digit field.
4. Press **VOL +/-** buttons to select the second digit.
5. Press the **INFO/ENTER** button to confirm the entered digit and move to the third digit field.
6. Press **VOL +/-** buttons to select the third digit.
7. Press the **INFO/ENTER** button to confirm the three digit channel and tune to the selected channel.

## Storing Preset Channels

The preset buttons (1-6) can be used to store 6 channels, allowing convenient access to your favorite channels.

### Programming Channels

1. Select the channel you want to store in memory.
2. *Press and hold* a 1-6 preset button until the corresponding preset button number appears.
3. Repeat steps 1 and 2 to program additional channels.

### Preset Recall

Press one of the six preset buttons to directly select a preset channel stored in the current band.

### Preset Scan

Press **AS/PS/FAV** button (10) to scan stations stored in all three user-preset channel groups (SR1, SR2 and SR3). The unit will pause for 10 seconds at each preset station. Press **AS/PS** again to stop scanning when the desired station is reached.

**Preset Tuning**

In Preset Tuning Mode, you can use the **SEEK** |<< / >>| buttons (13, 15) to access all 18 preset stations in sequential order. Access preset tuning mode through the system menu. Set Preset-Only Tuning to “ON.”

**Alternate Display Mode**




Press the **DISP/SCROLL** button (12) to change the display information between single and dual line text display. In dual line mode, both artist and title are available for viewing.

*Press and hold* the **DISP/SCROLL** button to scroll the Artist/Song Title information.

While in category tuning list mode, press the **DISP/SCROLL** button in sequence to change the display information from Channel Name, Artist, and Song Title.

**Satellite Signal Strength**



The display will indicate satellite reception strength as shown below.

Signal Strength	Strength Display
No Signal	
Weak	
Good	
Excellent	

**Channel Lock**

Access Channel Lock through the System Menu under the “SIRIUS Satellite Radio” menu. See “System Menu” on page 6.

1. Select “Set Lock Code.”
2. No channels can be locked with the default 0000 code. To set the lock code:
  - a. Press the **VOL +/-** buttons (17, 16) to enter the first digit of the default code.
  - b. Press the **INFO/ENTER** button (14) to move to the next digit.
  - c. Repeat above steps to enter all 4 digits of the default code.
  - d. Press the **VOL +/-** buttons to enter the first digit of the new code.
  - e. Press the **INFO/ENTER** button to move to the next digit.
  - f. Repeat above steps to enter all 4 digits.
  - g. Repeat above steps to confirm the new code.
8. After setting a new four digit code, you can lock channels by entering the “Locked Channels” menu.
9. Upon entering the Locked Channels list, you will be prompted to enter your four digit code.
  - a. Press the **VOL +/-** buttons to enter the first digit.
  - b. Press the **INFO/ENTER** button to move to the next digit.
  - c. Repeat above steps to enter all 4 digits.
4. After entering the code, you can navigate the list using the **VOL +/-** buttons to highlight the channels.

5. Press the **INFO/ENTER** button (14) to Lock (indicated by a  icon) or Unlock () the selected channel.

**Favorites (Song/Artist Seek)**

This feature lets you search for and store up to 15 Artist/Song combinations on SIRIUS Satellite Radio. To enable favorites notification, turn Enable Song Seek on under the “SIRIUS Satellite Radio.” See “System Menu” on page 6.

1. Select “Enable Song Seek” from the “SIRIUS Satellite Radio” submenu on the System Menu.
2. Press the **INFO/ENTER** button (14) to select “Yes”.

**Select/Set Favorite Song or Artist**

1. While the current song is playing, *press and hold* the **AS/PS/FAV** button (10).
2. Press the **INFO/ENTER** button (14) to select the Artist to be stored or *press and hold* the **AS/PS/FAV** button to select the Song to be stored.

Next time the stored artist or song is played on SIRIUS Satellite Radio, you will be notified with an alert and can then choose to tune to the channel playing the Song or Artist.

**Remove Favorite Song or Artist**

The list of stored Artists/Songs can be managed through the System Menu under the “SIRIUS Satellite Radio” menu. See “System Menu” on page 6.

1. Select “Remove Favorites”.
2. Select items to be removed from notification list.

## iPod® OPERATION

This unit is equipped with an iPod® ready function that will allow you to control your iPod (if compatible) using the control panel buttons. This unit is made for the following iPod models:

- iPod touch (2nd generation)
- iPod touch (1st generation)
- iPod classic
- iPod nano (6th generation)
- iPod nano (5th generation)
- iPod nano (4th generation)
- iPod nano (3rd generation)
- iPod nano (2nd generation)
- iPod nano (1st generation)
- iPod with video
- iPhone
- iPhone 3G
- iPhone 3GS

**NOTE: Earlier model iPod's are not supported because they do not implement the required control protocol. Also, the iPod Shuffle is not supported because it does not utilize the 30-pin Apple iPod Connector. These unsupported iPod models may be connected to the radio using the Auxiliary Inputs.**

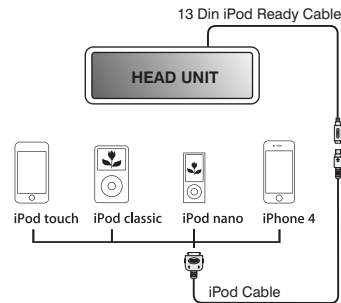
### Accessing iPod Mode

The unit will automatically switch to iPod mode when an iPod is plugged into the iPod cable.

To return to the iPod menu from any other source, press the **MODE** button (8) on the control panel or remote control until "iPod" appears on the display.

### Turning the iPod On/Off

The iPod power turns on automatically when an iPod is connected to 30-pin iPod cable, as long as the vehicle ignition is turned on. You can turn the iPod off by disconnecting it from the cable or by turning the ignition off. When the ignition is turned off, the iPod will pause and then enter sleep mode after 2 minutes. While the iPod is connected, the power cannot be turned on or off from the iPod itself.



**NOTE: The iPod will continuously recharge when connected to the unit, as long as the vehicle ignition is turned on.**

### Controlling Playback

#### Pausing Playback

During playback, press the **MUTE/>>||** button (18) to pause the iPod player. "Pause" will appear on the LCD. Press **MUTE/>>||** again to resume playback.

#### Repeat Play

During playback, press the **1/RPT** button (2) to repeat the current song. "Repeat" will appear on the LCD. Press **1/RPT** again to stop repeat playback.

#### Random Play

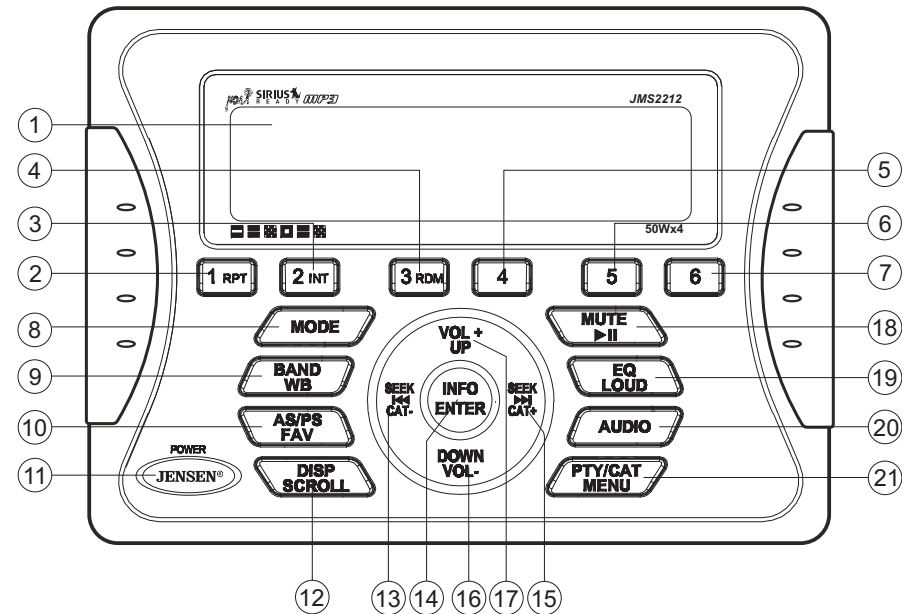
During playback, press the **3/RDM** button (4) to play all songs in the current category in random order. Random play will begin once the current song has finished playing. "Shuffle" will appear on the LCD. Press **3/RDM** again to stop random playback.

#### Selecting Tracks

During playback, press the **SEEK <</ >>|** buttons (13, 15) to play the previous or next track in the current category. Press the **SEEK <<** button (13) once to play the song from the start position or press **SEEK <<** twice to play the previous track.

Press and hold the **SEEK <</ >>|** button (13, 15) to fast reverse/forward the song.

**NOTE: If you press and hold the SEEK <</ >>| button to change the current song to the previous/next song, you will exit fast reverse/forward mode.**



### Alternate Display Information

Press **DISP/SCROLL** button (12) to change the display information in the following order: ARTIST NAME > SONG TITLE > FOLDER NAME.

## Playlist Search

Press the **PTY/CAT/MENU** button (21) to access Playlist selection mode. While in Category mode, press the **VOL +/-** buttons (17, 16) to choose file search by Playlist, Artist, Album, Genre, Song, Audiobook or Podcast. Press the **INFO/ENTER** button (14) to select the search mode. Use the **VOL +/-** buttons (17, 16) buttons to search the available files on the iPod. Press the **INFO/ENTER** button to play the selected song or file.



## CARE AND MAINTENANCE

- Keep the product dry. If it does get wet, wipe it dry immediately. Liquids might contain minerals that can corrode the electronic circuits.
- Keep the product away from dust and dirt, which can cause premature wear of parts.
- Handle the product gently and carefully. Dropping it can damage circuit boards and cases, and can cause the product to work improperly.
- Wipe the product with a dampened cloth occasionally to keep it looking new. Do not use harsh chemicals, cleaning solvents, or strong detergents to clean the product.
- Use and store the product only in normal temperature environments. High temperature can shorten the life of electronic devices, damage batteries, and distort or melt plastic parts.

### Ignition

The most common source of noise in reception is the ignition system. This is a result of the radio being placed close to the ignition system (engine). This type of noise can be easily detected because it will vary in intensity of pitch with the speed of the engine.

Usually, the ignition noise can be suppressed considerably by using a radio suppression type high voltage ignition wire and suppressor resistor in the ignition system. (Most vessels employ this wire and resistor but it may be necessary to check them for correct operation.) Another method of suppression is the use of additional noise suppressors. These can be obtained from most CB/A radio or electronic supply shops.

### Interference

Radio reception in a moving environment is very different from reception in a stationary environment (home). It is very important to understand the difference.

AM reception will deteriorate when passing under a bridge or when passing under high voltage lines. Although AM is subject to environmental noise, it has the ability to received at great distance. This is because broadcasting signals follow the curvature of the earth and are reflected back by the upper atmosphere.

## TROUBLESHOOTING

Symptom	Cause	Solution
No power	The vessel's accessory switch is not on	If the power supply is properly connected to the vessel's accessory terminal, switch the ignition key to "ACC"
	The fuse is blown	Replace the fuse
No sound	Volume is too low	Adjust volume to audible level
	Wiring is not properly connected	Check wiring connections
The operation keys do not work	The built-in microcomputer is not operating properly due to noise	Press the <b>RESET</b> button
Cannot tune to radio station, auto-seek does not work	The antenna cable is not connected	Insert the antenna cable firmly
	The signals are too weak	Select a station manually



## SPECIFICATIONS

### **FM Radio**

Frequency Coverage (USA) .....	87.5 to 107.9 MHz
Frequency Coverage (Europe) .....	87.5 to 108 MHz
Sensitivity (S/N=30dB) .....	4 $\mu$ V
Image Rejection .....	>45 dB
Stereo Separation .....	>25 dB

### **AM/MW**

Frequency Range (USA) .....	530-1710 kHz
Frequency Range (Europe) .....	522-1620 kHz
Sensitivity (S/N=20dB) .....	36 dB

### **General**

Operating Voltage .....	DC 12 Volts
Grounding System .....	Negative Ground
Speaker Impedance .....	4-8 ohms per channel
Tone Controls:	
Bass (at 100 Hz) .....	: $\pm$ 10 dB
Treble (at 10 kHz) .....	: $\pm$ 10 dB
Power Output .....	50W x 4
Current Drain .....	15 Ampere (max.)
Commander Dimensions .....	.5.15" (W) x 1.2" (D) x 3.7" (H)
Tuner/Amp Dimensions .....	.8.35" (W) x 6.55" (D) x 2.4" (H)



## INFORMACIÓN DE SEGURIDAD

### ***Cuando Navegue***

Mantenga el volumen lo suficientemente bajo para escuchar a su alrededor.

### ***Protéjalo del Agua***

No sumerja o exponga el producto directamente al agua, pues puede causar cortos eléctricos, incendios o daños.

### ***Protéjalo contra las Altas Temperaturas***

Exposición a luz solar directa por un periodo extendido de tiempo puede producir muy altas temperaturas dentro de su buque. Deje que el interior se enfríe antes de iniciar la reproducción.

No monte un radio en las proximidades del compartimiento del motor.

### ***Utilice la Alimentación de Energía Adecuada***

Este producto está diseñado para operar con un sistema de baterías de 12 voltios de Corriente Continua negativa conectado a tierra.

### **ADVERTENCIA:**

- NO ABRA, DESARME O ALTERE LA UNIDAD DE NINGUNA FORMA. Hacerlo puede provocar fuego, choque eléctrico o daños.
- USE EL AMPERAJE CORRECTO CUANDO REEMPLACE UN FUSIBLE. No hacerlo puede provocar fuego, choque eléctrico o daños.
- NO INSTALE EN LUGARES QUE PUEDAN OBSTRUIR LA OPERACIÓN DEL VEHÍCULO. Hacerlo puede obstruir la visión u obstaculizar movimientos y puede provocar accidentes serios.
- INSTALE EL CABLEADO DE TAL FORMA QUE NO SE DOBLE O PUNCE CON TORNILLOS O FILOS. Coloque los cables lejos de partes móviles o con bordes filosos o con punta. Esto prevendrá doblar o dañar el cableado. Si el cableado debe pasar por un agujero de metal, asegúrese de usar un reborde de goma para prevenir que se corte el cable con el borde metálico del agujero. También se recomienda aplicar sellador en cualquier apertura que potencialmente pueda permitir el ingreso de agua.
- Asegúrese de elegir una ubicación que sea plana y tenga lugar arriba de la unidad para prevenir cualquier daño, como así también permitir la ventilación.
- Antes de realizar algún agujero, cuidadosamente inspeccione el área debajo y detrás de la superficie de montaje donde los dispositivos se fijarán, para asegurarse que no interferirán con cables, tubos o tanques combustibles o cualquier otro objeto que pueda ser dañado.
- Siempre desconecte el terminal negativo de la batería del vehículo para prevenir cortos accidentales durante la instalación.

# INSTALACIÓN

## Antes de Empezar

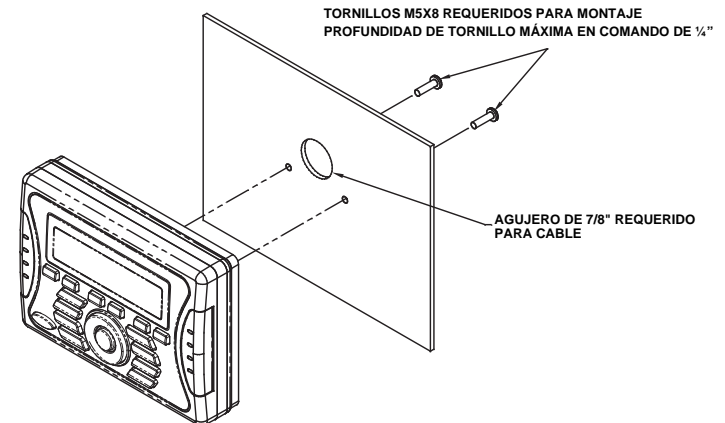
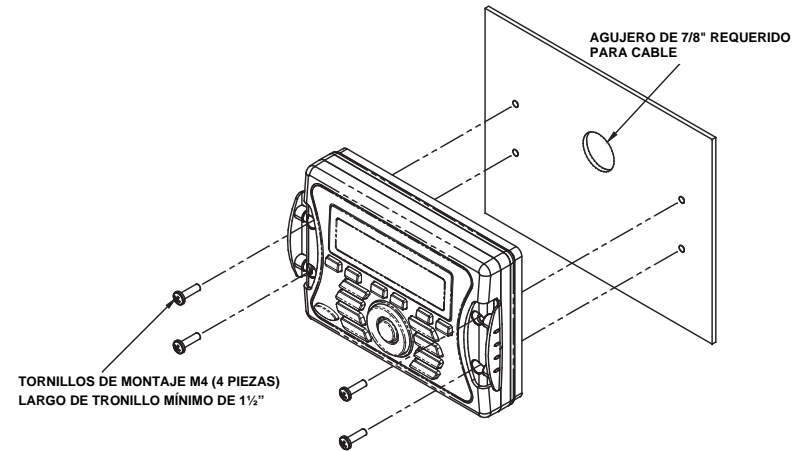
Antes de empezar, siempre desconecte la terminal negativa de la batería.

## Notas Importantes

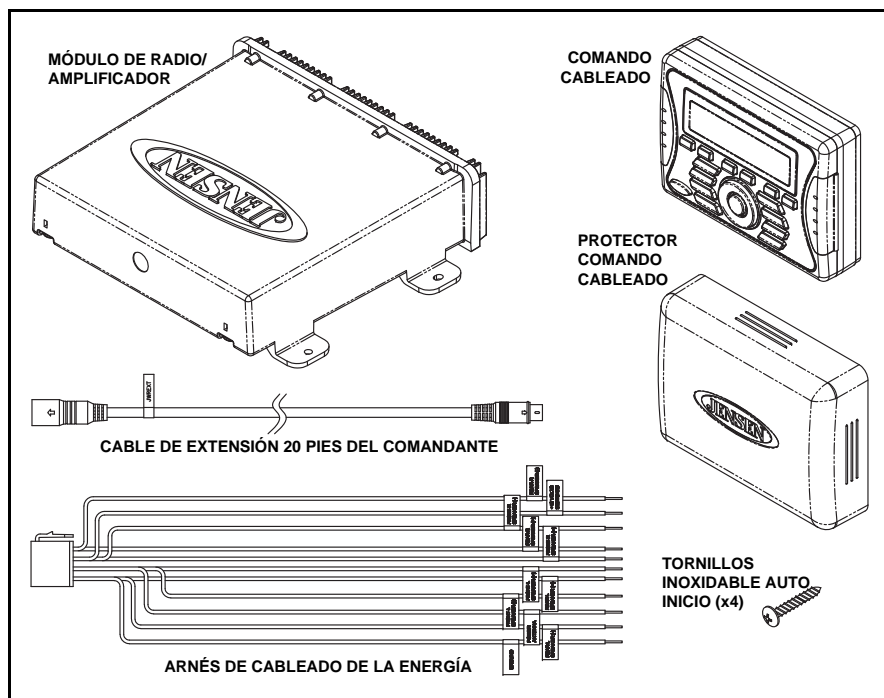
- Antes de la instalación final, pruebe las conexiones de cables para asegurarse de que la unidad esté conectada adecuadamente y el sistema funcione.
- Utilice solamente las partes incluidas con la unidad para asegurarse la instalación adecuada. El uso de partes no autorizadas puede causar mal funcionamiento.
- Consulte su revendedor más cercano si la instalación requiere taladrar agujeros u otras modificaciones a su buque.
- Instale la unidad donde no interfiera con el manejo y no pueda herir a ningún pasajero si se frena repentinamente o de emergencia.
- Evite instalar la unidad donde sea sometida a altas temperaturas debido a luz directa del sol, aire caliente o del calentador, o donde reciba polvo, suciedad o vibración en exceso.

## Montaje del Comando Cableado

1. Elija un área de montaje para el comando cableado que sea limpio y plano, permitiendo que la junta trasera se selle completamente contra la superficie de montaje.
2. Asegure el comando cableado usando uno de los métodos de montaje recomendados en detalle en los diagramas de abajo.

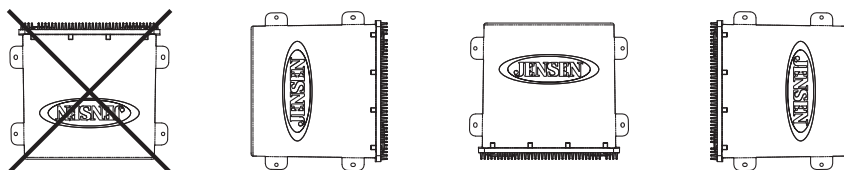


### Contenido del kit del hardware



### Montaje de Radio/Amplificador

1. Elija un área de montaje para el módulo de radio/amplificador que provea mucha ventilación para prevenir que el amplificador se recaliente. El módulo de radio/amplificador puede ser montado en posición horizontal o vertical. Por favor, note que cuando monte en posición vertical, no realice el montaje con los puntos de salida del arnés hacia arriba pues se puede juntar agua alrededor del chasis en éstas áreas.

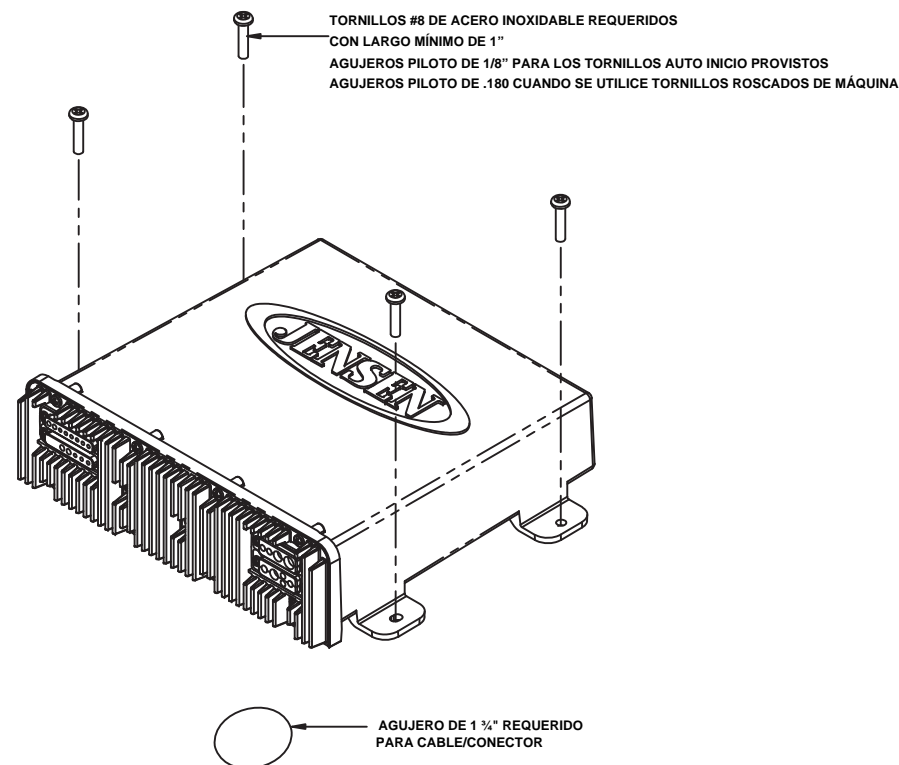


2. Usando los tornillos recomendados más cortos posibles, monte el radio / amplificador como se detalla en el diagrama a la derecha.
3. Coloque el arnés y el cable del radio / amplificador a través del buque como sea necesario. Mantenga el arnés / cables algo flojo para que no esté demasiado ajustado causando daños a los cables.

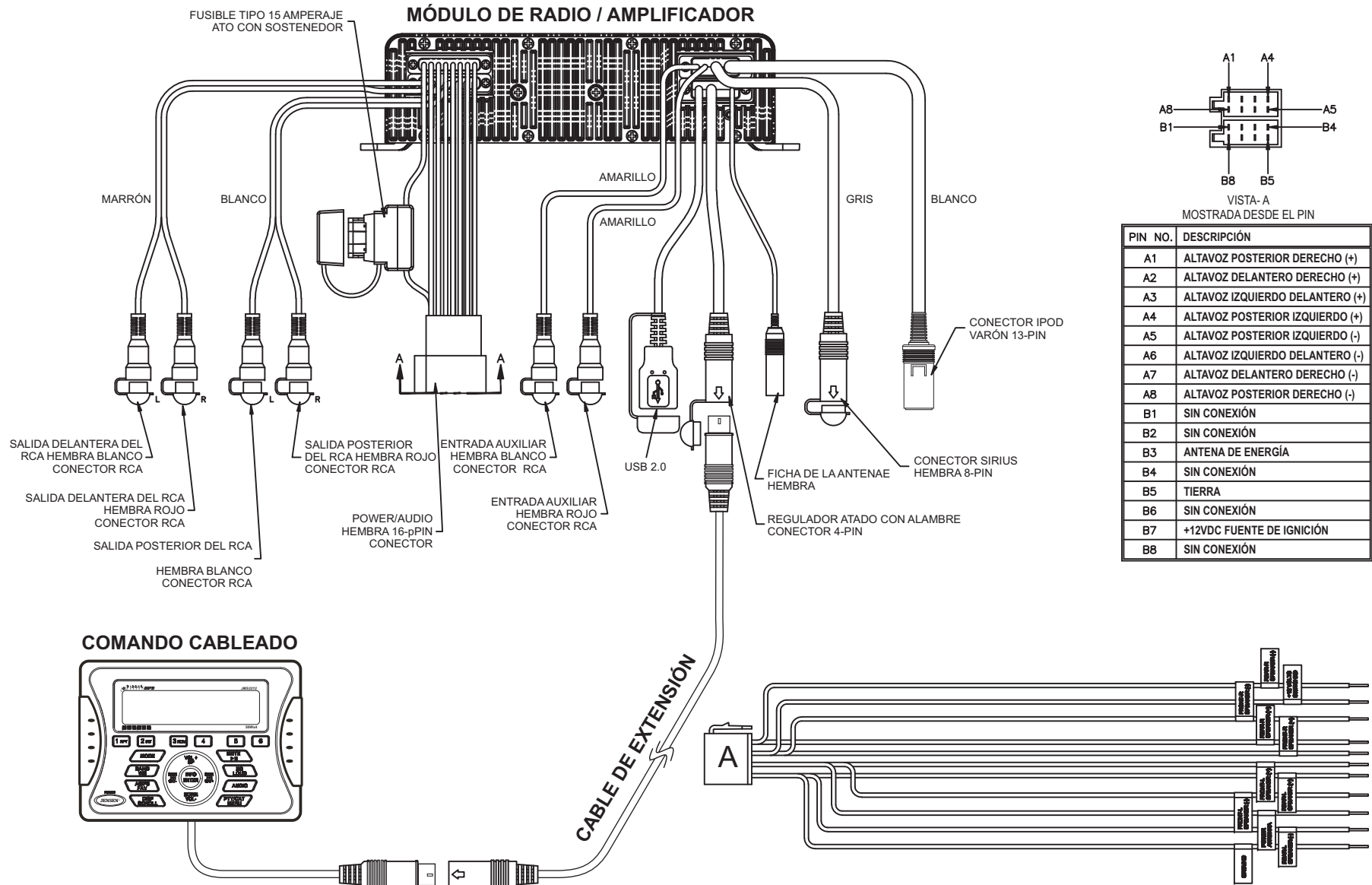
4. Siga el diagrama de cableado detalladamente y asegúrese de que todas las conexiones estén seguras y aisladas con conectores crimpadoso cinta aisladora para asegurar la instalación adecuada.
5. Luego de completar las conexiones del cableado, conecte nuevamente el terminal negativo en la batería y encienda la unidad para confirmar su operación (la llave accesoria del buque debe estar encendida). Si la unidad no opera, desconecte la batería, verifique nuevamente todo el cableado y lea la guía de solución de problemas que está al final del manual.

### Reconecte la Batería

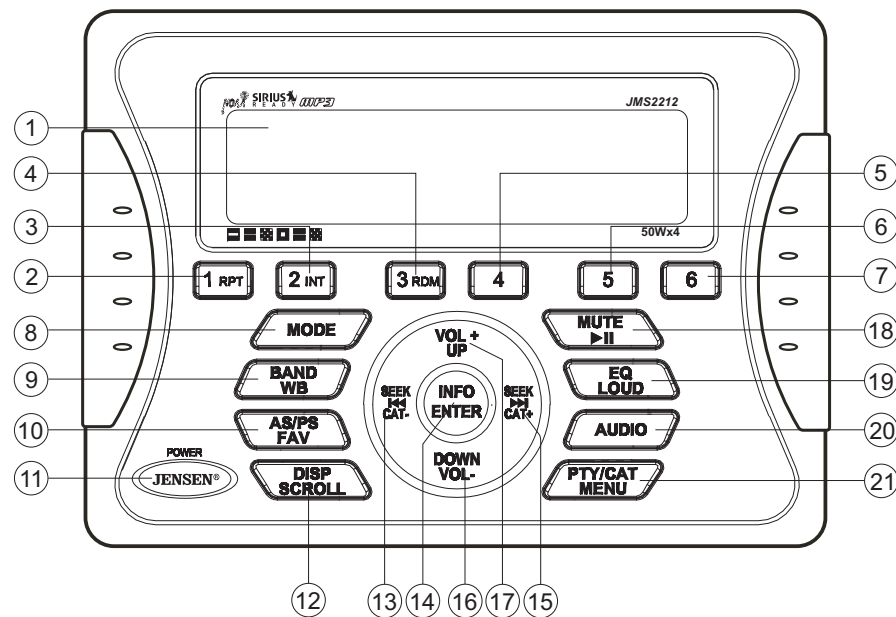
Cuando el cableado se complete, reconecte el terminal negativo de la batería.



# CABLEADO



## OPERACIÓN BÁSICA



### Encendido / Apagado

Presione el botón **POWER** (11) para encender la unidad. La unidad reanudará desde el último modo (sintonizador, Aux., etc.).

### Control de Volumen

Para aumentar el volumen, presione el botón **VOL +** (17). Para disminuir el volumen, presione el botón **VOL -** (16). El nivel máximo de volumen es "40". Mientras ajusta el volumen, el LCD muestra un gráfico de barras y la representación numérica del nivel.



### Silenciar

Presione el botón **MUTE** (18) en el panel de control para silenciar la salida de audio. Presione **MUTE** nuevamente para re-establecer la salida de audio al nivel anterior.

### Modo

Presione el botón **MODE** (8) en el panel de control para seleccionar un modo de operación distinto, como se indica en la pantalla del panel. Los modos disponibles incluye Sintonizador (AM/FM), SAT (SIRIUS), iPod, USB y Auxiliar.

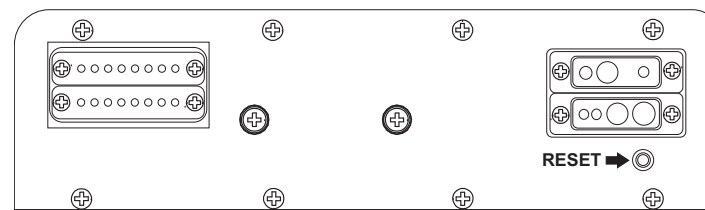
**NOTA:** Los modos SIRIUS e iPod® serán omitidos si el módulo/dispositivo no está instalado.

### Restablecer

El botón de restablecer debería activarse por las siguientes razones:

- Instalación inicial de la unidad cuando todo el cableado está terminado
- Los botones de función no funcionan
- Símbolo de error en pantalla

Use un bolígrafo o un objeto metálico fino para presionar el botón **RESET (RESTABLECER)**, ubicado en la caja de sintonizador.



Puede recuperar los valores de fábrica usando la función RESUME (CONTINUA) ubicada en el menú del sistema. Con "YES" (SI) parpadeando, presione el botón **MODE** (8) para activar.

### Menú Audio

Presione el botón **AUDIO** (20) en el panel de control para acceder el menú de audio. Puede navegar por los ítems del menú de audio presionando el botón **AUDIO** repetidamente. Una vez que el ítem de menú deseado aparece en la pantalla, ajuste la opción presionando los botones **VOL +/-** (17, 16) dentro de los 5 segundos. La unidad saldrá automáticamente del menú audio después de cinco segundos de inactividad. Los siguientes ítems de menú pueden ajustarse.

#### Bass Level (Nivel de Graves)

Use los botones **VOL +/-** para ajustar el rango de nivel de Graves de "-7" a "+7".

#### Treble Level (Nivel de Agudos)

Use los botones **VOL +/-** para ajustar el rango de nivel de Agudos de "-7" a "+7".

#### Balance:

Use los botones **VOL +/-** para ajustar el Balance entre los parlantes izquierdo y derecho desde "L12" (todo a la izquierda) a "R12" (todo a la derecha).

#### Fader (Esfumar)

Use los botones **VOL +/-** para ajustar el esfumado entre los parlantes traseros y delanteros "R12" (todo atrás) a "F12" (todo adelante).

## Menú del Sistema

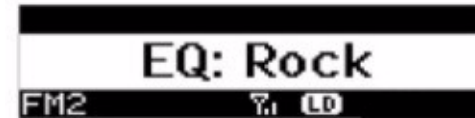
1. *Presione y mantenga* el botón **PTY/CAT/MENU** (21) por más de 2 segundos para acceder al menú del sistema. El primer ítem de menú, "Key Beep" (bip de tecla), aparecerá en la pantalla.
2. Presione el botón **VOL +/-** (17, 16) repetidamente para navegar el menú del sistema.
3. Presione el botón **INFO/ENTER** (14) para seleccionar el ítem deseado.
4. Presione el botón **INFO/ENTER** nuevamente para ajustar el ítem de menú seleccionado.

Los siguientes ítems pueden ajustarse.

- Key Beep (Click / Beep / Off) "Bip de tecla (Clic / Bip / Desactivado)": enciende o paga el bip audible (reproducir cuando se seleccionan funciones/botones).
- LCD Backlight (1-10) "Luz de fondo de LCD (1-10)": Ajusta el brillo del LCD.
- LCD Contrast (1-10) "Contraste de LCD (1-10)": Ajusta el contraste del LCD.
- Tuning Region (USA / EUROPE) "Región de Sintonización (USA / EUROPA)": Fija el espaciado de frecuencia para distintas regiones.
- Preset-Only Tuning (On / Off) "Sintonizar sólo Prefijadas (On / Off)"
- Radio Satelital SIRIUS (sólo aparece cuando el sintonizador SIRIUS está conectado y está en modo SIRIUS)
  - Clear Skipped Channels (Yes / No) "Omitir Canales Saltados (Si / No)"
  - Skipped Channels: List of Channels (Skipped / Visible) "Canales Saltados: Lista de canales (Omitidos / Visibles)"
  - Set Lock Code: "Fijar Código de Bloqueo: \_ \_ \_ \_ \_"
  - Locked Channels: List of Channels (Locked / Unlocked) "Canales Bloqueados: Lista de Canales (Bloqueados / Desbloqueados)"
  - Enable Song Seek (Yes / No) "Activar búsqueda de canciones (Sí / No)"
  - Edit Favorite Songs: List of Favorite Songs (Enable / Disable / Delete) "Editar Canciones Favoritas: Lista de Canciones Favoritas (Activar / Desactivar / Borrar)"
- iPod Auto-Select (On / Off) "Selección automática de iPod (On / Off)": Seleccione "On" (ACTIVADO) para detectar automáticamente y reproducir un iPod cuando esté conectado o "Off" para usar el botón **MODE** (8) para seleccionar la fuente iPod.
- Rear Aux Enable (On / Off) "Activar Aux. trasero (On / Off)": Enciende para permitir el uso de entrar auxiliar de audio en la parte trasera del chasis de la radio.
- Battery Alarm (Off / On) "Alarma de Batería (Off / On)": Se activa, si el voltaje del suministro de batería cae por debajo de 10.8V, que indica un posible problema con el sistema de carga de batería de la nave, la radio emitirá una pantalla de advertencia de batería baja y un bip de audio una vez por minuto. La advertencia y el sonido continuará hasta que la unidad se apague o el voltaje se recuperó a más de 10.8 Volts.
- Battery Auto-Off (Off / On) "Auto apagado de Batería (Off / On)"
- Reset System Defaults <ENTER> "Restaurar predeterminados del sistema <INTRO>: Presione el botón **INFO/ENTER** (14) para volver el JMS2212 a los valores de fijación predeterminados de fábrica.
- Update Firmware <ENTER>: "Actualizar Firmware <INTRO>": Presione el botón **INFO/ENTER** (14) para aplicar las actualizaciones de software recientes.

## Ecualizador

Presione el botón **EQ/LOUD** (19) para elegir una de las siguientes curvas de bajos y graves pre-definidas: USER > FLAT > ROCK > CLASSICAL > POP.



## Sonoridad

*Presione y mantenga* el botón **EQ/LOUD** (19) para alternar la sonoridad en activado / desactivado. Cuando escucha música a volúmenes bajos, esta función reforzará los rangos de graves y agudos para compensar las características de la audición humana.

## Entrada Auxiliar

Para acceder un dispositivo auxiliar:

1. Conecte el reproductor de audio portátil a los cables AUX IN en la parte de atrás de la radio.
2. Presione el botón **MODE** (8) para seleccionar un modo "AUXILIAR".
3. Presione **MODE** nuevamente para cancelar el modo "AUXILIAR" e ir al modo siguiente.

## Pantalla de Cristal Líquido (LCD)

La frecuencia actual y las funciones activadas son mostradas en el panel LCD (1).

---

**NOTA: Los paneles LCD podrían tomar mas tiempo a responder cuando están sujetos a temperaturas frías por un largo periodo de tiempo. Además, la visibilidad de los números en el LCD podría disminuir ligeramente. La pantalla LCD volverá a normal cuando la temperatura aumenta a valores normales.**

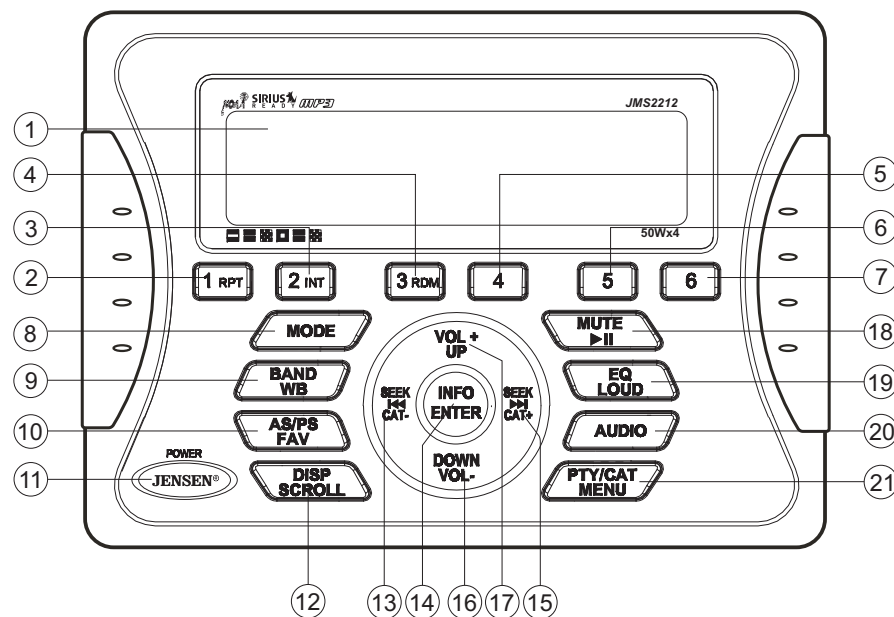
---

## Desplazar

Cuando la información es demasiado larga para ser mostrada en el LCD, *presione y mantenga* el botón **DISP/SCROLL** (12) para ver todo el título. La información pasará dos veces y luego vuelve al texto abreviado.



## OPERACIÓN DE SINTONIZADOR



### Seleccionar una Banda

Presione el botón **BAND/WB** (9) para cambiar entre tres bandas FM y dos bandas AM. Presione y mantenga el botón **BAND/WB** para acceder la banda del clima (Weatherband (WB)).

### Sintonizado Manual

Presione los botones **SEEK >>|** o **|<<** (15, 13) para buscar estaciones arriba/abajo paso a paso.

### Sintonizado Automático

Presione y mantenga los botones **SEEK >>|** o **|<<** (15, 13) para buscar automáticamente la próxima o previa estación fuerte.

**NOTA: La búsqueda de sintonía no está disponible para los canales de banda de clima. Use los botones de sintonía arriba o abajo para seleccionar manualmente cualquiera de los siete canales disponibles de canales de banda de clima.**

### Estaciones Prefijadas

Seis botones numerados de prefijado almacenan y activan estaciones para cada banda.

### Almacenar una Estación

Seleccione una banda (si es necesario), luego seleccione una estación. Presione y mantenga uno de los botones de prefijado 1-6 por dos segundos. El número prefijado aparecerá en la pantalla.

### Activar una Estación

Seleccione una banda (si es necesario). Presione un botón prefijado (1-6) para seleccionar la estación almacenada correspondiente.

### Buscar Automáticamente Almacenado / Prefijado (AS/PS)

#### Almacenar Automáticamente

Seleccione una banda de AM o FM. Presione y mantenga el botón **AS/PS/FAV** (10) por más de 2 segundos para seleccionar automáticamente 18 estaciones con potencia (12 para AM). "Storing Presets (Almacenando Prefijados)" aparece en la pantalla y las nuevas estaciones reemplazan cualquier estación realmente almacenada.

#### Buscar Prefijadas

Seleccione una Banda Presione el botón **AS/PS/FAV** (10) para explorar estaciones almacenadas en la banda actual. La unidad pausará por 5 segundos en cada estación prefijada. Presione el botón **AS/PS/FAV** nuevamente para detener la exploración cuando se alcanza la estación deseada.

### Operación de RBDS

Esta unidad está equipada para mostrar información RBDS (Radio Broadcast Data Service (Servicio de datos de transmisión de radio)) cuando es transmitida por la estación de radio.

**NOTA: Las transmisiones de estaciones de radio RBDS podrían no estar disponibles en su área de recepción.**

En modo de radio FM, presione el botón **PTY/CAT/MENU** (21) para listar los siguientes opciones de Tipos de Programa (PTY): ANY / News / Information / Sports / Talk / Rock / Classic Rock / Adult Hits / Soft Rock / Top 40 / Country / Oldies / Soft / Nostalgia / Jazz / Classical / Rhythm and Blues / Soft Rhythm & Blues / Foreign Language / Religious Music / Religious Talk / Personality / Public / College / Weather / Emergency Test / ALARM! (Cualquiera/ Noticias/ Información/ Deportes/ Debate/ Rock/ Rock Clásico/ Éxitos de Adultos/ Rock Suave/ 40 Principales/ Country/ Oldies/ Suave/ Nostalgia/ Jazz/ Clásica/ Rítmica y Blues/ Rítmica y Blues suave/ Idioma Extranjero/ Música Religiosa/ Religiosa/ Personalidad/ Pública/ Universitaria/ Clima / Prueba de Emergencia/ Alarma!) ALARMA!

Para buscar estaciones en una categoría PTY:

1. Presione el botón **PTY/CAT/MENU** (21) para ver la categoría PTY actual.
2. Presione los botones **SEEK >>|** o **|<<** (15, 13) para mover a través de la lista de categorías disponibles y seleccionar el tipo de programa que desea buscar.
3. Después de seleccionar la PTY deseada, presione el botón **INFO/ENTER** (14) para buscar la banda para transmisiones de este tipo. Se muestra "PTY Search" mientras el sintonizador está buscando.

**NOTA: El realizar una búsqueda PTY en "ANY" buscará sintonía y se detendrá en cualquier estación que transmita RBDS, sin importar el tipo de programa.**

## Operación de Banda de Clima

### ¿Qué es la NOAA Weather Radio/Weatheradio Canada?

NOAA (National Oceanic and Atmospheric Administration (Administración Oceánica y Atmosférica Nacional) es un sistema nacional que difunde información local de emergencia climática las 24 horas a través de la red National Weather Service (NWS) (Servicio nacional de Clima). La red de EE.UU tiene más de 530 estaciones que cubren los 50 estados así como de las aguas costeras adyacentes, Puerto Rico, las Islas Vírgenes de EE.UU y los Territorios del Pacífico de EE.UU Cada área local tiene su propia estación de transmisión y hay un total de siete frecuencias de transmisión usadas. Hay un sistema similar disponible en Canadá bajo el servicio Weatheradio Canada administrado por Environment Canada.

### Cómo Sintonizar la Banda del Clima

Presione y mantenga el botón **BAND/WB** (9) para acceder la banda de clima (Weatherband). La indicación "WB" aparecerá en la pantalla del panel, junto con el número actual y la indicación de canal: "WB-1", "WB-2", "WB-3", "WB-4", "WB-5", "WB-6" o "WB-7". Estas frecuencias se muestran en la siguiente tabla:

**Tabla 1: Frecuencias de Banda del Clima**

Frecuencia (MHz)	Prefijada
162.400	2
162.425	4
162.450	5
162.475	3
162.500	6
162.525	-
162.550	1

La tabla anterior también muestra cual botón prefijado accederá la frecuencia. Advierta que una frecuencia no puede accederse usando un botón prefijado. La frecuencia sólo puede alcanzarse usando los controles de sintonía.

Use los botones **SEEK >>|** o **|<<** (15, 13) o los botones prefijados para sintonizar cada uno de los siete canales hasta que encuentre la transmisión de estación de banda de clima en su área.

### ¿Cuántas estaciones puedo esperar recibir?

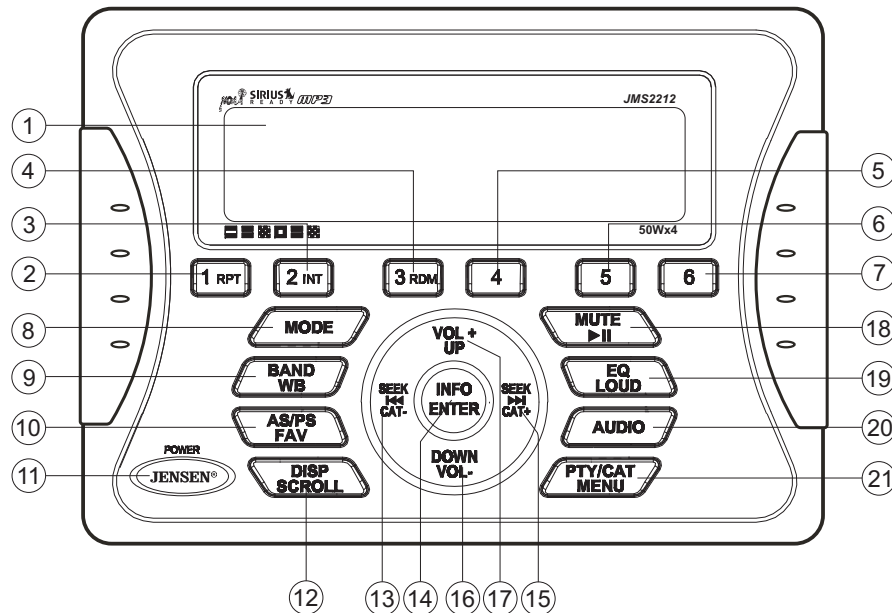
Dado que las transmisiones son de clima e información local, la potencia de transmisión es generalmente muy baja (mucho menos que las estaciones de AM o FM estándar) por lo que generalmente recibirá una estación a menos que esté en el borde de dos o más señales de transmisión. Como mucho recibirá dos o tres, y eso es raro.

### ¿Es posible que no pueda recibir ninguna estación?

Dependiendo donde está ubicado, hay una posibilidad que reciba solamente una señal muy débil o ninguna señal. También, similar a las señales de AM y FM, las señales de banda de clima están sujetas a condiciones ambientales, clima, obstrucciones de la señal por colinas y montañas, etc.

## REPRODUCCIÓN DE ARCHIVO DIGITAL

Si el usuario conecta un dispositivo de almacenamiento USB, la radio se enciende automáticamente, si es necesario, y cambia al modo de reproducción de archivo digital y selecciona ese medio físico. La esquina inferior izquierda del LCD muestra el nombre de la fuente. El cambiar de modos o apagar la radio pausa la reproducción. La reproducción reanuda exactamente donde fue pausada cuando vuelve al modo de reproducción de archivo digital.



### Cómo insertar un Dispositivo USB

El conector USB cableado está en la parte posterior de la radio. Inserte un dispositivo USB para cambiar al modo USB y comenzar la reproducción.

### Cómo controlar la Reproducción de Archivos

#### Cómo Seleccionar Archivos

Presione los botones **SEEK >>** (15) o **SEEK <<** (13) para avanzar a la pista/archivo siguiente. El número de pista seleccionada aparecerá en la pantalla. *Presione y mantenga* los botones **SEEK >>** o **<<** para avance rápido o retroceso rápido. La reproducción se reinicia cuando se libera el botón.

#### Reproducir/Pausar

Presione el botón **MUTE/>||** (18) para suspender la reproducción. Se muestra "Puse" en la pantalla. Presione el botón **MUTE/>||** nuevamente para volver a la reproducción.

#### Repetir Reproducción

- Presione el botón **1/RPT** (2) durante la reproducción del disco para repetir la pista actual.
- Presione **1/RPT** nuevamente para detener la repetición de reproducción.

#### Vista Previa de Pistas

Presione el botón **2/INT** (3) para reproducir los primeros 10 segundos de cada pista en la carpeta actual secuencialmente. Presione **2/INT** nuevamente para detener Intro Scan (Exploración de Pista) y volver a la reproducción normal de la pista actual.

#### Reproducción aleatoria

- Presione el botón **3/RDM** (4) durante la reproducción del disco para reproducir todas las pistas en la carpeta actual en forma aleatoria.
- Presione **3/RDM** nuevamente para detener la reproducción aleatoria.

#### Navegación de Carpeta (Sólo MP3)

- Presione el botón **PTY/CAT/MENU** (21) para ver una lista de todas las canciones en la carpeta actual.
- Presione el botón **PTY/CAT/MENU** nuevamente para navegar a través de la estructura de archivos.
- Presione los botones **VOL +/UP** (17) y **DOWN/VOL -** (16) para navegar la lista.
- Presione el botón **INFO/ENTER** (14) para reproducir la canción resaltada o ver archivos en la carpeta seleccionada. Continúe presionando **INFO/ENTER** hasta que sea seleccionado el archivo deseado.

La unidad saldrá automáticamente del menú de navegación de carpetas después de 5 segundos de inactividad.

### Especificaciones de MP3

#### Notas sobre reproducción de MP3

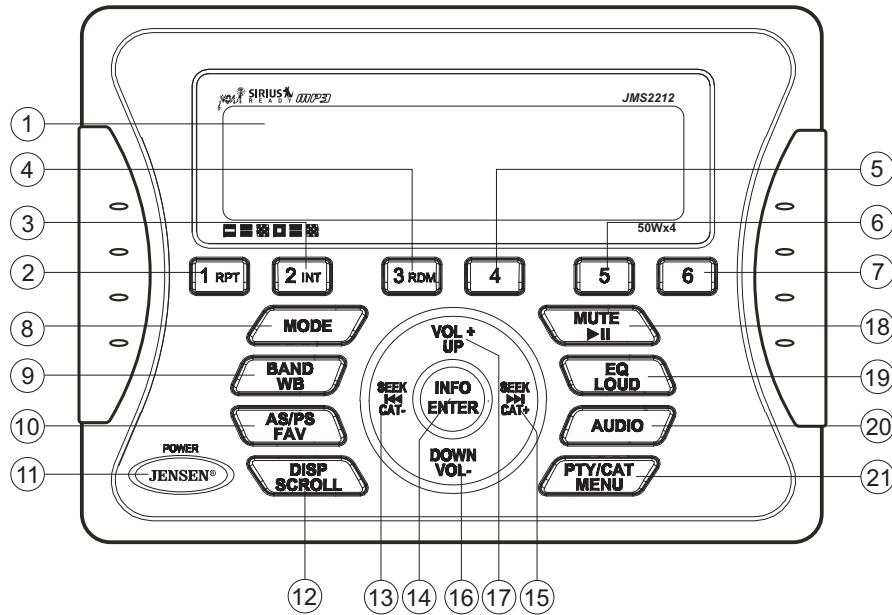
- Cualquier directorio que no incluya un archivo MP3 es omitido
- Número máximo de carpetas: 512 (incluyendo directorios omitidos)
- Número máximo de niveles de carpeta: 12
- Número máximo de archivos MP3: 999
- Número máximo de caracteres para nombre de archivo MP3 y nombre de carpeta: 32
- Frecuencia de muestreo: 16KHz, 22.05KHz, 24KHz, 32KHz, 44.1KHz, 48KHz
- Velocidad de bits: máximo 384 Kbps
- Número máximo de caracteres de etiqueta ID3:
  - Versión etiqueta ID3 1.0: 32
  - Versión etiqueta ID3 2.x: 32

#### Orden de Reproducción de Archivo

Los archivos serán reproducidos continuamente en forma secuencial dentro de la carpeta actual. Para reproducir canciones en otra carpeta, presione el botón **PTY/CAT/MENU** (21) dos veces para mover hasta un nivel de carpeta. Presione los botones **VOL +/UP** (17) y **DOWN/VOL -** (16) para navegar la lista y luego presionar el botón **INFO/ENTER** (14) para acceder la canción o carpeta seleccionada.

Puede fijar el orden en el cual los archivos MP3/WMA serán reproducidos almacenando los nombres de archivos comenzando con los números de secuencia de reproducción tales como "01" a "99".

## OPERACIÓN DE RADIO SIRIUS



**NOTA:** SIRIUS está disponible en los EE.UU. para suscriptores con direcciones en EE.UU continental y está disponible en Canadá para suscriptores con una dirección en Canadá. Se requiere la correspondiente suscripción más un sintonizador SIRIUS compatible y una antena que se venden separadamente. Para suscribir a una Radio Satelital SIRIUS en Internet, visite [sirius.com](http://sirius.com), o llame al 888-539-7474. Tenga lista su ID SIRIUS (la ID SIRIUS está ubicada en la parte trasera del sintonizador SIRIUS o sintonizando el Canal 0). La programación SIRIUS está sujeta a cambios. Visite [sirius.com](http://sirius.com) para la más completa y actualizada alineación de canales e información de producto. "SIRIUS" y el logotipo SIRIUS y marcas relacionadas son marcas registradas de Sirius Satellite Radio Inc. Todos los derechos reservados.

### Cambio de Recepción de radio satelital SIRIUS (Requiere sintonizador SIRUS opcional)

Presione el botón **MODE** (8) todas las veces que sea necesario para cambiar el modo a modo de radio SIRIUS.

### Cómo acceder a su ID de RADIO SIRIUS

Para mostrar la ID de radio SIRIUS, use el botón **SEEK <<** para sintonizar el canal "000". La pantalla mostrará "SIRIUS ID" con el ID mostrado en el medio de la pantalla LCD. La ID de radio SIRIUS tiene 12 caracteres de largo.

### Cómo Seleccionar una Banda

En modo SIRIUS, presione el botón **BAND/WB** (9) para acceder a los grupos de canales prefijados por el usuario SIRIUS en el siguiente orden: SR1, SR2, SR3.

### Sintonía de Categoría

1. Presione el botón **PTY/CAT/MENU** (21) para acceder al modo Categoría.
2. Mientras está en modo categoría, presione los botones **SEEK >>/CAT+** o **SEEK <</CAT-** (15, 13) para seleccionar una categoría.
3. Presione los botones **VOL +/-** (17, 16) para seleccionar los canales deseados en esa categoría. (El número de canal actual dentro de la categoría seleccionada siempre será el primer canal sintonizado predeterminado.)
4. Presione el botón **INFO/ENTER** (14) para volver al modo de sintonización de canal.

### Sintonización de Canal Arriba/Abajo

Presione los botones **SEEK << / >>** (13, 15) para buscar por un canal. *Presione y mantenga* los botones **SEEK** para una búsqueda rápida.

### Modo de Sintonía Directa

1. *Presione y mantenga* el botón **INFO/ENTER** (14) para ingresar al modo de Sintonía Directa.
2. Presione los botones **VOL +/-** (17, 16) para cambiar el primero de tres dígitos para el canal deseado en la pantalla de ingreso directo.
3. Presione el botón **INFO/ENTER** para confirmar los dígitos ingresados y mover al campo de segundo dígito.
4. Presione los botones **VOL +/-** para seleccionar el segundo dígito.
5. Presionar el botón **INFO/ENTER** para confirmar los dígitos ingresados y mover al campo de tercer dígito.
6. Presione los botones **VOL +/-** para seleccionar el tercer dígito.
7. Presione el botón **INFO/ENTER** para confirmar el canal de tres dígitos y sintonizar el canal seleccionado.

### Cómo Almacenar Canales Predeterminados

Los botones de prefijado (1-6) pueden usarse para almacenar 6 canales, permitiendo cómodo acceso a sus canales favoritos.

#### Programación de Canales

1. Seleccionar el canal que desea almacenar en la memoria.
2. *Presione y mantenga* un botón de prefijado de 1 a 6 hasta que aparezca el número de botón de prefijado correspondiente.
3. Repetir los pasos 1 y 2 para programar canales adicionales.

#### Recuperación de Prefijado

Presione uno de los seis botones prefijados para seleccionar directamente un canal prefijado almacenado en la banda actual.

#### Buscar Prefijadas

Presione el botón **AS/PS/FAV** (10) para explorar estaciones almacenados en los tres grupos de canales prefijados por el usuario (SR1, SR2 y SR3). La unidad pausará por 10 segundos

en cada estación prefijada. Presione el botón **AS/PS** nuevamente para detener la exploración cuando se alcanza la estación deseada.

**Sintonizado de Prefijado**

En Modo de sintonización de prefijado, puede usar los botones **SEEK** [**<<** / **>>**] (13, 15) para acceder las 18 estaciones prefijadas en orden secuencial. Acceda el modo de sintonización de prefijados a través del menú de sistema. Sintonizar solo Prefijadas a "On" (Activado)

**Modo de Pantalla Alternativa**

Presione el botón **DISP/SCROLL** (12) para cambiar la información de pantalla entre pantalla de texto de línea simple y doble. En modo de línea doble, tanto el artista y el título están disponibles para verse.

*Presione y mantenga* el botón **DISP/SCROLL** para recorrer la información de Artista/Canción/Título.

Mientras está en el modo de lista de categorías de sintonía, presione el botón **DISP/SCROLL** en secuencia para cambiar la información de pantalla de Nombre de Canal, Artista, y Título de Canción.

**Fuerza de Señal Satelital**



La pantalla indicará fuerza de recepción de satélite como se muestra a continuación.

Signal Strength	Strength Display
No Signal	
Weak	
Good	
Excellent	

**Bloqueo de Canal**

Acceda al Bloque de Canal a través del Menú de Sistema bajo el menú "SIRIUS Satellite Radio". Vea "Menú del Sistema" en página 22.

1. Seleccione "Set Lock Code." (Fijar código de bloqueo)
2. Ningún canal puede bloquearse con el código por omisión 0000. Para fijar el código de bloqueo:
  - a. Presione los botones **VOL +/-** (17, 16) para ingresar el primer dígito del código por omisión.
  - b. Presione el botón **INFO/ENTER** (14) para mover al próximo dígito.
  - c. Repetir los pasos de arriba para ingresar los cuatro dígitos del código por omisión.
  - d. Presione los botones **VOL +/-** para ingresar el primer dígito del nuevo código.
  - e. Presione el botón **INFO/ENTER** para mover al próximo dígito.
  - f. Repetir los pasos de arriba para ingresar los 4 dígitos.
  - g. Repetir los pasos de arriba para confirmar el nuevo código.
8. Después de fijar un nuevo código de cuatro dígitos, puede bloquear los canales ingresando al menú "Locked Channels" (Canales Bloqueados).

9. Luego de ingresar a la lista de Canales Bloqueados, se le indicará que ingrese su código de cuatro dígitos.
  - a. Presione los botones **VOL +/-** para ingresar el primer dígito.
  - b. Presione el botón **INFO/ENTER** para mover al próximo dígito.
  - c. Repetir los pasos de arriba para ingresar los 4 dígitos.
4. Después de ingresar el código, puede navegar la lista usando los botones **VOL +/-** para resaltar los canales.
5. Presione el botón **INFO/ENTER** (14) para bloquear (indicado por un ícono ) o Desbloquear () el canal seleccionado.

**Favoritos (Búsqueda de Canción/Artista)**

Esta función le permite almacenar y buscar por hasta 15 combinaciones de Artista/Canción en la Radio Satelital SIRIUS. Para activar notificación de favoritos, active Enable Song Seek (Activar búsqueda de canción) bajo "SIRIUS Satellite Radio." Ver "Menú del Sistema" en página 22.

1. Seleccione "Enable Song Seek" (Activar búsqueda de canción) del submenú "SIRIUS Satellite Radio" en el Menú del Sistema.
2. Presione el botón **INFO/ENTER** (14) para cambiar el seleccionado a "Yes" (Sí).

**Seleccionar/Fijar Canción o Artista Favorito**

1. Mientras se está reproduciendo la canción actual, *presione y mantenga* el botón **AS/PS/FAV** (10).
2. Presione el botón **INFO/ENTER** (14) para seleccionar el Artista a ser almacenado o presione el botón **AS/PS/FAV** para seleccionar la Canción ha ser almacenada.

La próxima vez que el artista o canción almacenada es reproducida en la Radio Satelital SIRIUS, será notificado con un alerta y puede elegir sintonizar el canal que está reproduciendo la Canción o Artista.

**Quitar la Canción o Artista Favorito**

La lista de Artistas/Canciones almacenados puede manejarse a través del Menú del Sistema bajo el menú "SIRIUS Satellite Radio". Vea "Menú del Sistema" en página 22.

1. Seleccione "Remove Favorites" (Quitar favoritos).
2. Seleccione ítems ha ser removidos de la lista de notificación.

## OPERACIÓN DEL iPod®

Esta unidad está equipada con una función lista para iPod® que le permitirá controlar su iPod (si es compatible) usando los botones de panel de control. Esta unidad es compatible con los siguientes modelos de iPod:

- iPod touch (2da generación)
- iPod touch (1ra generación)
- iPod Classic
- iPod nano (6ta generación)
- iPod nano (5ta generación)
- iPod nano (4ta generación)
- iPod nano (3ra generación)
- iPod nano (2da generación)
- iPod nano (1ra generación)
- iPod con video
- iPhone
- iPhone 3G
- iPhone 3GS

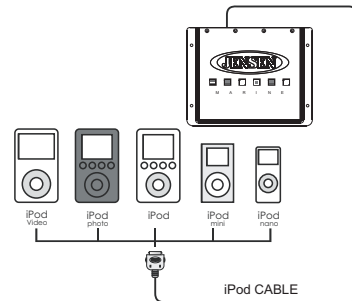
**NOTA: los modelos anteriores de iPod no están soportados debido a que no implementan el protocolo de control necesario. Tampoco el iPod Shuffle está soportado debido a que no utiliza el conector Apple iPod de 30 pines. Estos modelos iPod no soportados podrían conectarse a la radio usando entradas auxiliares.**

### Cómo Acceder el Modo iPod

La unidad cambiará automáticamente a modo iPod cuando un iPod es enchufado dentro del cable iPod. Para volver al menú iPod desde cualquier otro menú de fuente, presione el botón (8) **MODE** en el panel de control o el control remoto hasta que aparezca "iPod" en la pantalla.

### Cómo encender/apagar en iPod

El iPod enciende automáticamente cuando se conecta el iPod a un cable iPod de 30 pines, siempre que el encendido del vehículo esté encendido. Puede apagar el iPod desconectándolo del cable o apagando el encendido. Cuando se apaga el encendido, el iPod pausará y luego ingresa a modo dormir después de 2 minutos. Mientras el iPod está conectado, no puede encenderse o apagarse desde el iPod mismo.



**NOTA: El iPod se recargará continuamente cuando está conectado a la unidad, siempre que el encendido del vehículo esté activado.**

## Cómo controlar la Reproducción

### Cómo Pausar la Reproducción

Durante la reproducción, presione el botón **MUTE/>>||** (18) para pausar el reproductor iPod. Aparecerá "Pause" (Pausa) en el LCD. Presione **MUTE/ >||** nuevamente para volver a la reproducción.

### Repetir Reproducción

Durante la reproducción, presione el botón **1/RPT** (2) para repetir la canción actual. Aparecerá "Repeat" (Repetir) en el LCD. Presione 1/RPT nuevamente para detener la repetición de reproducción.

### Reproducción Aleatoria

Durante la reproducción, presione el botón **3/RDM** (4) para reproducir todas las canciones en la categoría actual en forma aleatoria. La reproducción aleatoria comenzará una vez que la canción actual ha finalizado su reproducción. Aparecerá "Shuffle" (Aleatorio) en el LCD. Presione 3/RDM nuevamente para detener la reproducción aleatoria.

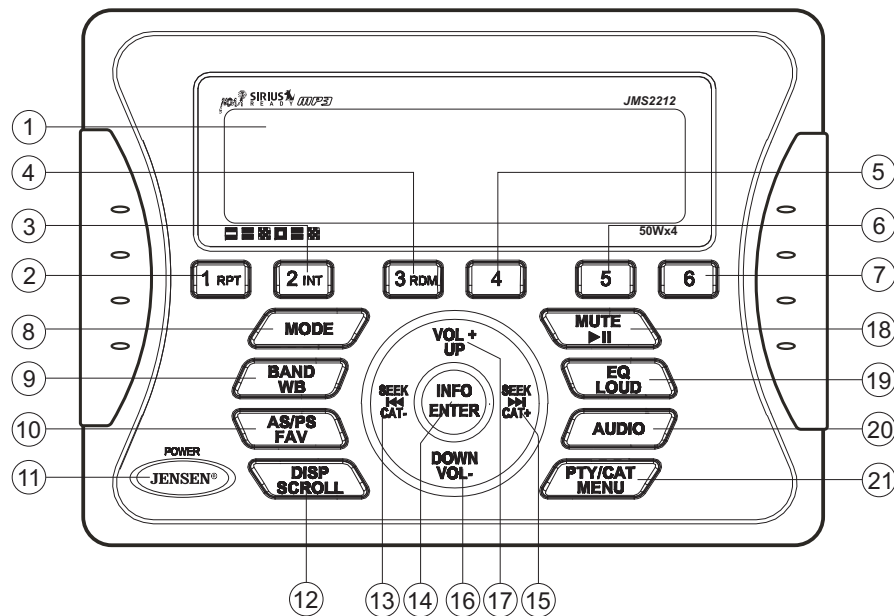
### Cómo Seleccionar Pistas

Durante la reproducción, presione el botones **SEEK |<< / >>|** (13, 15) para reproducir la pista anterior o siguiente en la categoría actual. Presione el botón **SEEK |<<** (13) una vez para reproducir la canción desde la posición de comienzo o presione **SEEK |<<** dos veces para reproducir la pista previa.

Presione y mantenga el botones **SEEK |<< / >>|** (13, 15) para avance/retroceso rápido de la canción.

**NOTA: Si presiona y mantiene el botón SEEK |<< / >>| para cambiar la canción actual a la canción previa/siguiente, saldrá del modo de avance/retroceso rápido.**





### Información de Pantalla Alterna

Presione el botón **DISP/SCROLL** (12) para cambiar la información de pantalla en el siguiente orden: NOMBRE DE ARTISTA > TÍTULO DE CANCIÓN > NOMBRE DE CARPETA.

### Búsqueda de lista de reproducción

Presione el botón **PTY/CAT/MENU** (21) para acceder al modo de selección de lista de reproducción. Mientras está en modo Categoría, presione los botones **VOL +/-** (17, 16) para seleccionar la búsqueda de archivo por Lista de Reproducción, Artista, Álbum, Género, Canción, Audiobook o Podcast. Presione el botón **INFO/ENTER** (14) para seleccionar el modo de búsqueda. Use los botones **VOL +/-** para buscar los archivos disponibles en el iPod. Presione el botón **INFO/ENTER** para reproducir la canción o archivo seleccionado.

## CUIDADO Y MANTENIMIENTO

- Mantenga el producto seco. En el caso de mojarse, séquelo inmediatamente. Los líquidos pueden contener minerales que corroen los circuitos electrónicos.
- Mantenga el producto lejos de polvo y suciedad, lo cual puede causar un desgaste prematuro de las partes.
- Maneje el producto suave y cuidadosamente. Dejarlo caer puede dañar circuitos y cajas, y puede causar que el producto funcione inadecuadamente.
- Ocasionalmente limpie el producto con un trapo mojado para que mantenerlo como nuevo. No utilice químicos fuertes, solventes de limpieza o detergentes fuertes para limpiar el producto.
- Utilice y guarde el producto solamente en ambientes de temperatura normal. Las altas temperaturas pueden acortar la vida de los dispositivos electrónicos, dañar baterías y distorsionar y derretir las partes plásticas.

### Ignición

La fuente más común de ruido en la recepción es el sistema de ignición. Esto es el resultado de un radio ubicado cerca del sistema de ignición (motor). Este tipo de ruido puede ser detectado fácilmente porque variará en intensidad de tono con la velocidad del motor.

Usualmente, el ruido de la ignición se puede suprimir considerablemente usando un cable de ignición de la suspensión de alto voltaje y un resistor supresor en el sistema de ignición. (La mayoría de los buques emplean este cable y resistor pero puede ser necesario verificarlos para una operación correcta.) Otro método de supresión es el uso de supresores adicionales. Éstos se pueden obtener en la mayoría de los comercios CB/A de radio o electrónica.

### Interferencia

La recepción de radio en un ambiente en movimiento es muy diferente de la recepción en un ambiente estacionado (casa). Es muy importante entender la diferencia.

La recepción AM se deteriorará cuando pase bajo un puente o cuando pase bajo líneas de alto voltaje. A pesar que banda AM está sujeta a ruidos medioambientales, tiene la habilidad de recibir a gran distancia. Esto es porque las señales de transmisión siguen la curvatura de la tierra y se rebotan de vuelta en la atmósfera superior.

## SOLUCIÓN DE PROBLEMAS

Síntoma	Causa	Solución
No hay energía	La llave accesoria del buque no está encendida	Si la energía no está conectada adecuadamente al terminal accesorio del buque, cambia la llave de ignición a "ACC".
	El fusible está quemado	Reemplace el fusible
No hay sonido	El volumen está muy bajo	Ajuste el volumen a un nivel audible
	El cableado no está conectado adecuadamente	Verifique las conexiones de cables
Los botones de operación no funcionan	El microcomputador integrado no está operando adecuadamente debido al ruido	Presione el botón <b>RESET</b>
No se puede sintonizar a una estación de radio, la búsqueda automática no funciona	The antenna cable is not El cable de la antena no está conectado	Inserte el cable de la antena firmemente
	Las señales son muy débiles	Seleccione una estación manualmente



## ESPECIFICACIONES

### **RADIO FM**

Cobertura de Frecuencia (EE.UU.)	87.5 a 107.9 MHz
Cobertura de Frecuencia (Europa)	87.5 a 108 MHz
Sensibilidad (S/N=30dB)	4 $\mu$ V
Rechazo de la imagen	>45dB
Separación Estéreo	>25 dB

### **AM/MW**

Rango de Frecuencia (EE.UU.)	530-1710 kHz
Rango de Frecuencia (Europa)	522-1620 kHz
Sensibilidad (S/N=20dB)	36 dB

### **General**

Voltaje de Funcionamiento	12 Volts CC
Sistema de Tierra	Negativo a tierra
Impedancia de Parlante	4-8 ohms por canal
Controles de Tono:	
Graves (a 100 Hz)	: $\pm$ 10 dB
Agudos (a 10 kHz)	: $\pm$ 10 dB
Potencia de Salida	50W x 4
Consumo de Corriente	15 Amperes (máx.)
Dimensiones de Comando	5.15" (A) x 1.2" (P) x 3.7" (A)
Dimensiones de Sintonizador/Amplificador	8.35" (A) x 6.55" (P) x 2.4" (A)



## INFORMATIONS SUR LA SECURITE

### ***Lorsque vous êtes en bateau***

Gardez le niveau de volume assez bas pour être conscient de votre environnement.

### ***Protéger de l'eau***

Ne submergez pas et n'exposez pas le produit directement à l'eau. Cela peut produire des court-circuits, incendies ou d'autres types de dommages.

### ***Protéger des températures hautes***

Exposition à des rayons de soleil directs peut produire des températures très hautes à l'intérieur de votre vaisseau. Donnez à l'intérieur le temps de se rafraîchir avant de commencer la reproduction.

Ne montez pas la radio près du compartiment du moteur.

### ***Utiliser l'alimentation correcte***

Ce produit est conçu pour opérer avec un système de pile négative terre 12 Volt DC.

### **AVERTISSEMENT :**

- N'ouvrez pas, ne démontez pas et ne modifiez pas cet appareil. Cela peut résulter en un incendie, un court circuit ou endommager le produit.
- UTILISEZ LE STANDARD D'AMPERE CORRECT LORSQUE VOUS REMPLACEZ UN FUSIBLE. Sinon, cela peut résulter en un incendie, court circuit, ou endommager le produit.
- NE PAS INSTALLEZ DANS DES ENDROITS OU CELA PEUT INTERFERE AVEC L'OPERATION DU VEHICULE. Cela peut faire obstacle à la vision ou empêcher le mouvement et produire un accident sérieux.
- INSTALLEZ LE CABLAGE DE SORTE QU'IL NE SOIT PAS PINCE PAR DES ECROUS OU DES BORDS METALLIQUES FINS. Faites traverser le câble loin des parties amovibles ou des bords pointus fins. Cela évitera d'endommager le câblage. Si les câbles doivent passer par un trou métallique, utilisez une rondelle en caoutchouc pour évitez que le câble ne soit pas coupé par le bord métallique du trou. Nous recommandons aussi que vous matiez toute ouverture qui peut admettre l'eau.
- Choisissez un emplacement qui est plat et qui a de l'espace au-dessus de l'appareil pour éviter des dégâts et pour permettre la ventilation.
- Avant de percer des trous, inspectez avec soin la région sous et derrière la surface de montage où les engins seront montés pour assurer qu'ils n'interféreront pas avec des câbles existants, des conduites carburants, des réservoirs de carburant ou tout autre objet qui peut être endommagé.
- Débranchez toujours la borne de pile négative du véhicule pour éviter un court circuit accidentel pendant l'installation.

# INSTALLATION

## Avant de commencer

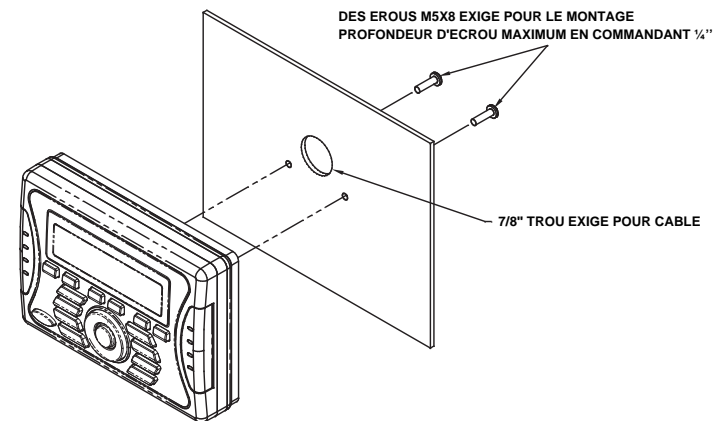
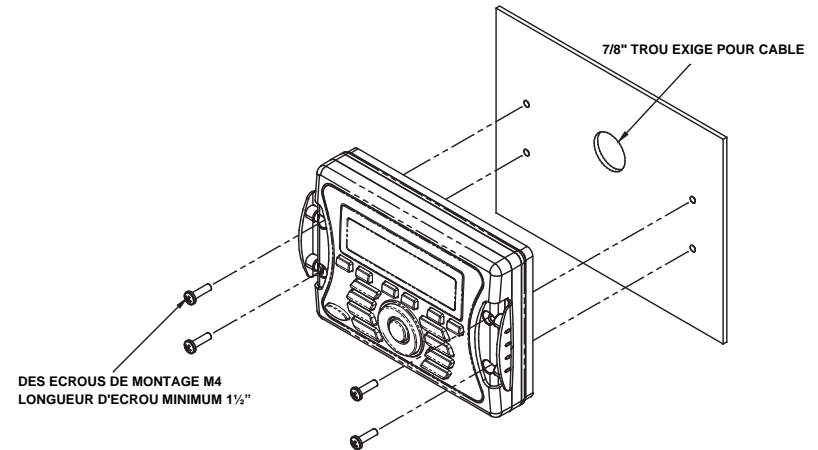
Avant de commencer, débranchez la borne négative de la pile.

## Notes importantes

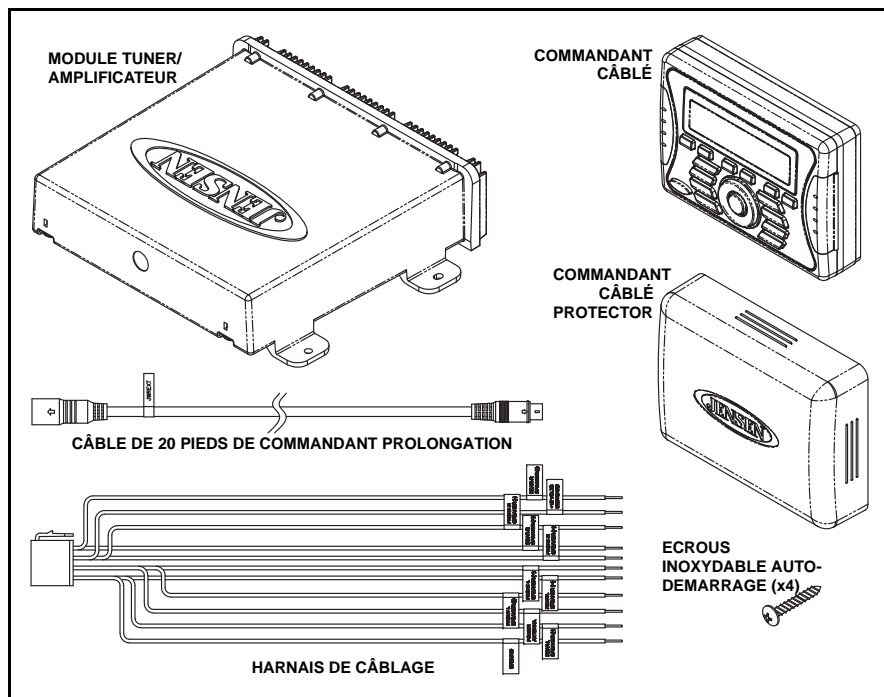
- Avant l'installation finale, essayez les branchements pour assurer que l'appareil est bien branché et que le système fonctionne.
- N'utilisez que les parties fournies avec l'appareil pour assurer une bonne installation. L'utilisation des parties non-autorisées peut résulter en un mauvais fonctionnement.
- Consultez avec votre détaillant le plus proche lorsque l'installation exige le perçage des trous ou d'autres modifications à votre vaisseau.
- Installez l'appareil là où il n'interfère pas avec la conduite et ne peut pas blesser les passagers lorsqu'il y a un arrêt abrupt.
- Evitez d'installer l'appareil là où il sera sujet à des températures hautes venant des rayons de soleil directs, de l'air chaud ou d'un réchaud ou bien là où il sera sujet à de la poussière excessive, des ordures ou de la vibration.

## Montage du commandant câble

1. Choisissez un emplacement de montage pour le commandant câblé qui est propre et plat et qui permet au joint statique d'arrière de sceller la surface de montage.
2. Attachez le commandant câblé en utilisant l'une des méthodes de montage détaillée dans les diagrammes ci-dessous.

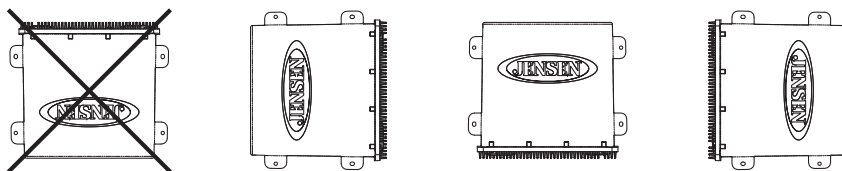


### Contenu de kit de matériel



### Montage de tuner/amplificateur

1. Choisissez un emplacement de montage pour le tuner/amplificateur qui va fournir assez de ventilation pour empêcher l'amplificateur de surchauffer. Le module tuner/amplificateur peut être monté soit dans une position verticale soit dans une position horizontale. Notez que lorsque vous montez dans une position verticale, ne montez pas avec les points de sortie de harnais en haut puisque l'eau peut accumuler dans le châssis dans ces régions.

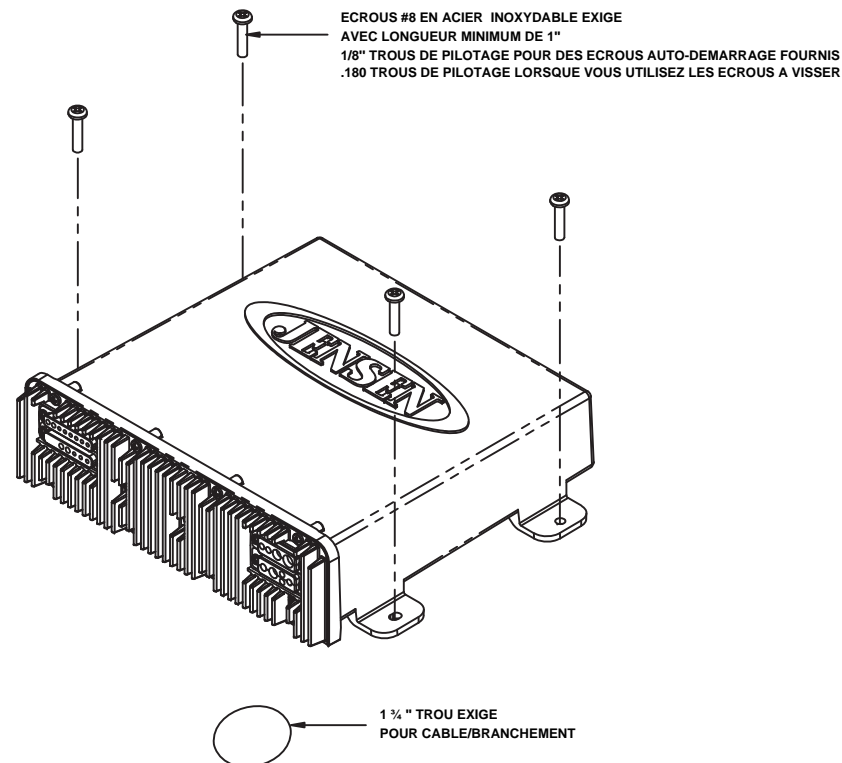


2. En utilisant les écrous les plus courts recommandés, montez le tuner/amplificateur comme montré dans le diagramme à droite.
3. Faites traverser le harnais et le câble du tuner/amplificateur partout dans le vaisseau comme exigé. Gardez les câbles et le harnais relâchés pour qu'ils ne soient pas trop serrés, comme cela peut endommager les câbles.

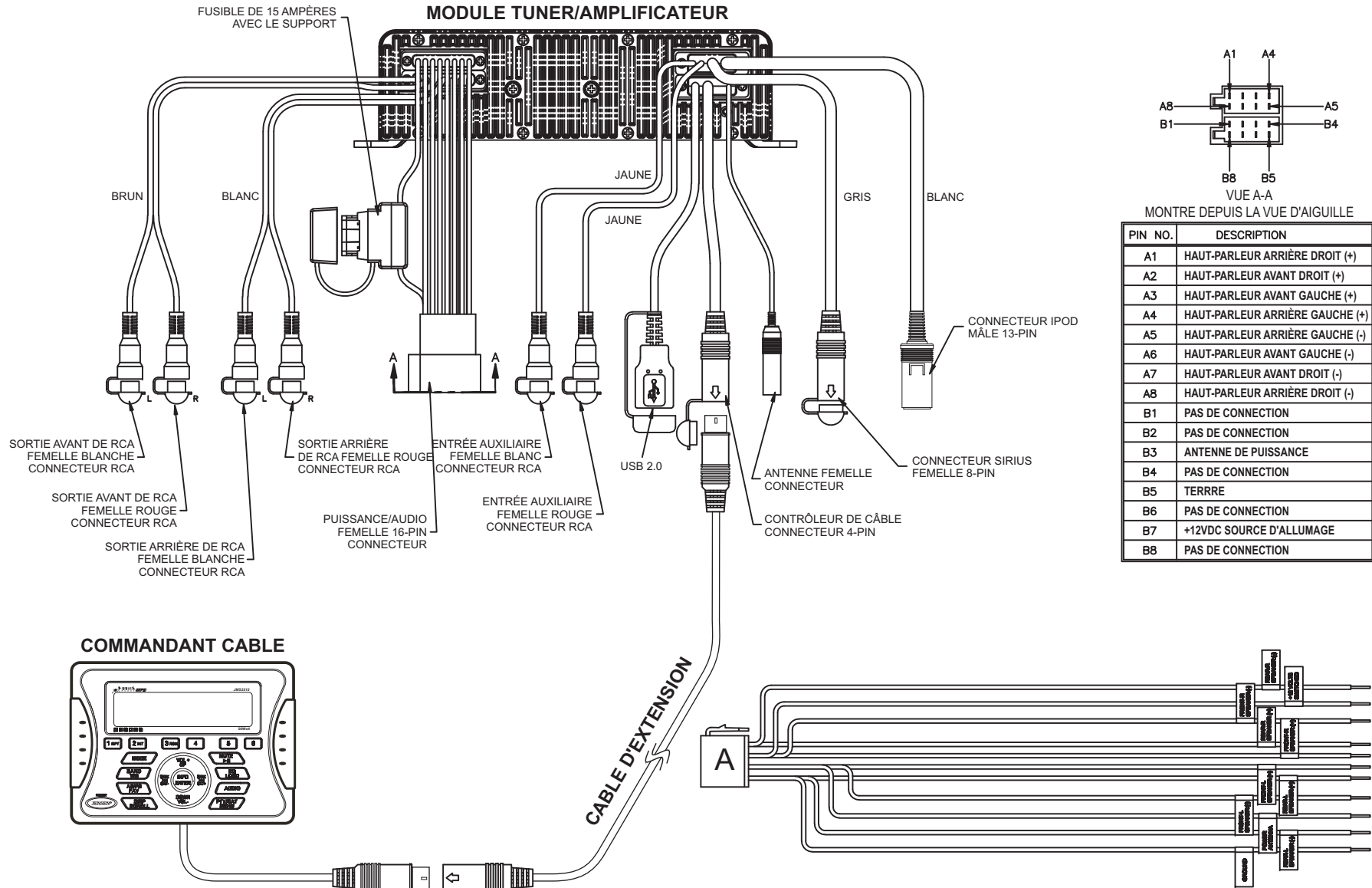
4. Suivez le diagramme de câblage avec soin et assurez-vous que tous les branchements sont sûrs et isolés avec raccords à sertir ou de la bande électrique pour assurer une bonne opération.
5. Après avoir terminé les branchements de câbles, rebranchez la borne négative de la pile et mettez l'appareil en marche pour confirmer l'opération (l'interrupteur accessoire du vaisseau doit être en marche). Si l'appareil ne fonctionne pas débranchez la pile, vérifiez le câblage et référez-vous au guide de dépannage au dos de ce guide.

### Rebrancher la pile

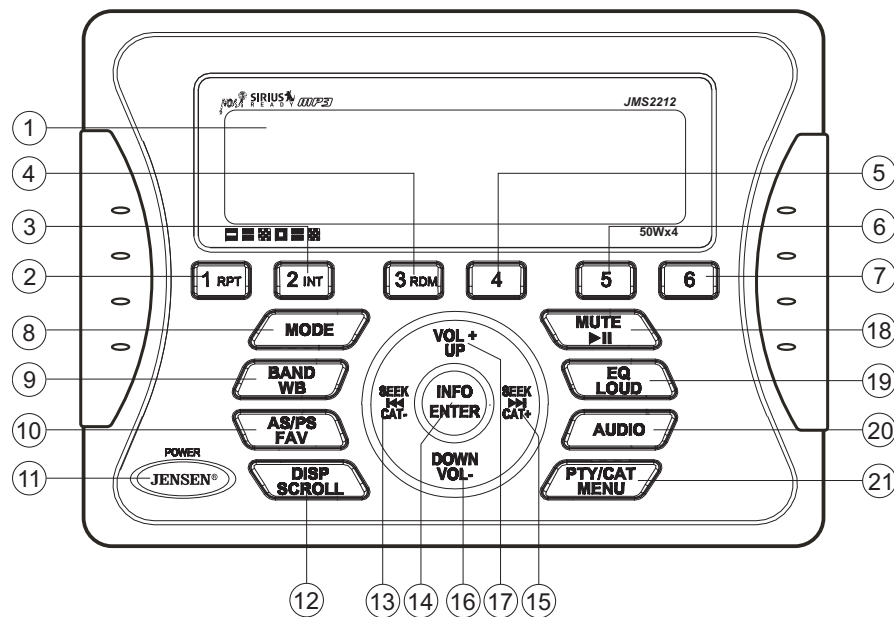
Lorsque le câblage est terminé, rebranchez la borne négative de la pile.



**CÂBLAGE**



## OPERATION DE BASE



### Allumer/Eteindre

Pressez le bouton **POWER** (11) pour allumer et éteindre l'appareil. L'appareil va reprendre la reproduction à partir du mode le plus récent (Tuner, Aux, etc.).

### Commande du volume

Pour augmenter le volume, pressez le bouton **VOL +** (17). Pour baisser le volume pressez le bouton **VOL -** (16). Le niveau de volume maximal est « 40 ». Lorsque vous ajustez le volume, l'affichage aux cristaux liquides affiche un graphique à barre et la représentation numérique du niveau. .



### Assourdissement

Pressez le bouton **MUTE** (18) sur le panneau de commande pour assourdir le volume audio. Pressez **MUTE** de nouveau pour rétablir la sortie audio au niveau précédent.

### Mode

Pressez le bouton **MODE** (8) sur le panneau de commande pour sélectionner un mode d'opération différent, comme indiqué sur le panneau d'affichage. Les modes disponibles comprennent : Tuner (AM/FM), SAT (SIRIUS), iPod, USB et Auxiliary.

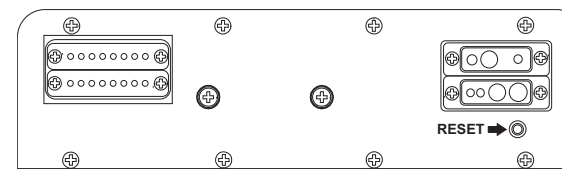
**A NOTER :** Les modes **SIRIUS** et **iPod®** seront sautés si le dispositif /module n'est pas installé.

### Réinitialisation

Le bouton de réinitialisation doit être activé pour les raisons suivantes :

- l'installation du départ de l'appareil lorsque le câblage est terminé
- les boutons de fonction ne fonctionnent pas
- symbole erreur sur l'affichage

Utilisez une bille ou un objet métallique mince pour presser le bouton **RESET**, situé sur la boîte tuner.



Vous pouvez récupérer les réglages par défaut d'usine en utilisant la fonction **RESUME** situé sur le menu du système. Avec le « YES » clignotant, pressez le bouton **MODE** (8) pour activer.

### Menu Audio

Pressez le bouton **AUDIO** (20) sur le panneau de commande pour accéder au menu audio. Vous pouvez naviguer à travers les articles sur le menu audio en pressant le bouton **AUDIO** plusieurs fois de suite. Lorsque l'article du menu désiré apparaît sur l'affichage, ajuster cette option-là en pressant les boutons **VOL +/-** (17, 16) dans 5 secondes. L'appareil va automatiquement quitter le menu audio au bout de cinq secondes d'inactivité. Les articles de menu suivants peuvent être ajustés :

#### Niveau de basse

Utilisez les boutons **VOL +/-** pour ajuster la gamme du niveau de basse de « -7 » à « +7 ».

#### Niveau d'aigu

Utilisez les boutons **VOL +/-** pour ajuster la gamme du niveau d'aigu de « -7 » à « +7 ».

#### Balance

Utilisez les boutons **VOL +/-** pour ajuster la balance entre les hauts parleurs de droite et de gauche de « L12 » (tout à fait à gauche) à « R12 » (tout à fait à droite).

#### Équilibreur

Utilisez les boutons **VOL +/-** pour ajuster l'équilibreur entre les hauts parleurs d'avant et d'arrière de « R12 » (tout à fait à l'arrière) à « F12 » (tout à fait à l'avant).

## Menu Système

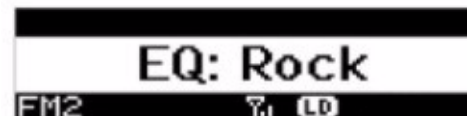
1. *Pressez et maintenez* le bouton **PTY/CAT/MENU** (21) pour plus de 2 secondes pour entrer dans le système menu. Le premier article du menu « Key Beep » apparaîtra sur l'affichage.
2. Pressez le bouton **SEEK |<< / >>|** (13, 15) plusieurs fois de suite pour naviguer le menu système.
3. Pressez le bouton **INFO/ENTER** (14) pour sélectionner l'article désiré.
4. Pressez le bouton **INFO/ENTER** de nouveau pour ajuster l'article du menu sélectionné.

Les articles suivants peuvent être ajustés :

- Key Beep (Click / Beep / Off) : Allumer/éteindre le bip sonore (entendu lorsque des fonctions/boutons sont sélectionnés).
- Rétroéclairage de l'affichage aux cristaux liquides (1-10) : Ajustez la luminosité de l'affichage aux cristaux liquides.
- Contraste de l'affichage aux cristaux liquides (1-10) : Ajustez le contraste de l'affichage aux cristaux liquides.
- Région de syntonisation (USA / EUROPE) : Réglez l'espacement de fréquence pour des régions diverses.
- Syntonisation dédiée aux pré-réglés (Allumer/éteindre)
- Radio satellite SIRIUS (n'apparaît que lorsqu'un tuner SIRIUS est branché et dans le mode SIRIUS)
  - Dégagez les canaux sautés (Oui/Non)
  - Canaux sautés : Liste des canaux (Sautés/Visibles)
  - Réglez le code de verrouillage : \_ \_ \_ \_
  - Des canaux verrouillés : Liste des canaux (Verrouillés/Ouverts)
  - Activer Recherche par Chanson (Oui/Non)
  - Editer des chansons favorites : Liste des chansons favorites (Activer/Désactiver/ Effacer)
- Auto-sélection de l'iPod (Allumer/Eteindre) : Choisissez « On » pour détecter et jouer automatiquement l'iPod lorsque celui-ci est branché ou « Off » pour utiliser le bouton **MODE** (8) pour sélectionner la source de l'iPod.
- Activer l'auxiliaire à l'arrière (Allumer/Eteindre) : Allumer pour permettre l'utilisation de l'entrée audio auxiliaire à l'arrière du châssis radio.
- Pile alarme (Eteindre/Allumer) : Lorsqu'allumé, le voltage de la pile du vaisseau tombe audessous de 10.8V, indiquant un problème avec le système de chargement de la pile du vaisseau; la radio va émettre un avertissement quant à la pile basse et un bip sonore une fois par minute. L'avertissement et le son vont continuer jusqu'à ce que l'appareil soit éteint ou que le voltage soit rétabli à un niveau supérieur à 10.8V.
- Pile auto-éteindre (Allumer/Eteindre)
- Réinitialiser le système par défauts <ENTER> : Pressez le bouton **INFO/ENTER** (14) pour restaurer le JMS2212 aux valeurs réglées par défaut d'usine.
- Mise à jour des logiciels d'entreprise <ENTER> : Pressez le bouton **INFO/ENTER** (14) pour appliquer les dernières mises à jour du logiciel.

## Correcteur de fréquence

Pressez le bouton **EQ/LOUD** (19) pour choisir l'une des courbes de basse et d'aigu prédéfinies : USER > FLAT > ROCK > CLASSICAL > POP.



## Intensité

*Pressez et maintenez* le bouton **EQ/LOUD** (19) pour basculer l'intensité acoustique allumer/ éteindre. Lorsque vous écoutez à la musique à des volumes bas; cette fonction va augmenter les gammes de basse et d'aigu pour compenser les caractéristiques de l'ouïe humaine. t

## Entrée auxiliaire

Pour accéder au dispositif auxiliaire :

1. Branchez le lecteur audio portable aux câbles AUX IN au dos de la radio.
2. Pressez le bouton **MODE** (8) pour sélectionner le mode « Auxiliaire ».
3. Pressez **MODE** de nouveau pour annuler le mode « Auxiliary » et aller au mode prochain.

## L'affichage aux cristaux liquides (LCD)

Les fréquences actuelles et les fonctions activées sont montrées sur le panneau de l'affichage aux cristaux liquides (1).

---

**A NOTER : Les panneaux de l'affichage aux cristaux liquides peuvent mettre du temps à répondre lorsqu'ils sont sujets aux températures froides pour une durée importante. En outre, la visibilité des numéros sur l'affichage aux cristaux liquides peuvent diminuer légèrement. L'affichage aux cristaux liquides va revenir au normal lorsque les températures reviennent au normal.**

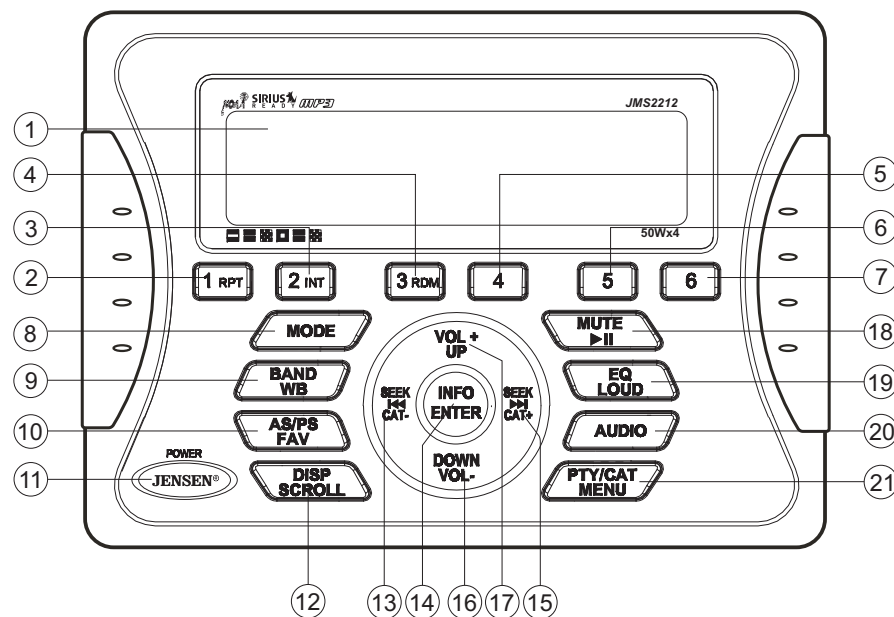
---

## Défilement

Lorsque l'information est trop longue à afficher sur l'affichage aux cristaux liquides, pressez et maintenez le bouton **DISP/SCROLL** (12) pour visionner le titre tout entier. L'information va se défiler deux fois et puis va se retourner au texte abrégé.



## OPERATION TUNER



### Sélectionner une bande

Pressez le bouton **BAND/WB** (9) pour changer entre trois bandes FM et deux bandes AM.

Pressez et maintenez le bouton **BAND/WB** pour accéder au Weatherband (WB).

### Syntonisation manuelle

Pressez les boutons **SEEK >>|** ou **|<<** (15, 13) pour chercher les stations vers le haut/vers le bas étape par étape.

### Syntonisation auto-recherche

Pressez et maintenez les boutons **SEEK >>|** ou **|<<** (15, 13) pour chercher automatiquement la station forte précédente ou prochaine.

**A NOTER : La syntonisation par recherche n'est pas disponible pour les canaux weatherband. Utilisez les boutons de syntonisation vers le haut ou vers le bas pour sélectionner manuellement n'importe lequel des sept canaux weather band disponibles.**

### Stations pré-réglées

Les six boutons pré-réglés numérotés mettent en mémoire et rappellent des stations pour chaque bande.

### Mettre une station en mémoire

Sélectionnez une bande (si nécessaire) et puis sélectionnez une station. Pressez et maintenez un bouton pré-réglé 1 à 6 pendant deux secondes. Le numéro pré-réglé apparaîtra dans l'affichage.

### Rappeler une station

Sélectionnez une bande (si nécessaire) : Pressez un bouton pré-réglé 1 à 6 pour sélectionner la station mise en mémoire correspondante.

### Mise en mémoire automatique/Scanner les pré-réglés (AS/PS)

#### Mise en mémoire automatique

Sélectionnez une bande AM ou FM. Pressez et maintenez le bouton **AS/PS/FAV** (10) pendant plus de 2 secondes pour sélectionner automatiquement 18 stations fortes (12 pour AM). « Storing presets » apparaît sur l'écran et les nouvelles stations remplacent les stations précédemment mises en mémoire.

#### Scanner les pré-réglés

Sélectionnez une bande. Pressez le bouton **AS/PS/FAV** (10) pour scanner les stations mises en mémoire dans la bande actuelle. L'appareil va faire pause pendant 5 secondes à chaque stations pré-réglée. Pressez le bouton **AS/PS/FAV** de nouveau pour arrêter le scan lorsque vous arrivez à la station désirée.

### Opération RBDS

Cet appareil est équipé pour afficher des informations RBDS (Radio Broadcast Data Service) émises par la station radio.

**A NOTER : Des stations radio émettant RBDS peuvent ne pas être disponibles dans votre région d'écoute.**

En mode FM radio, pressez el bouton **PTY/CAT/MENU** (21) pour lister les choix du type de programme (PTY) suivants : ANY / News / Information / Sports / Talk / Rock / Classic Rock / Adult Hits / Soft Rock / Top 40 / Country / Oldies / Soft / Nostalgia / Jazz / Classical / Rhythm and Blues / Soft Rhythm & Blues / Foreign Language / Religious Music / Religious Talk / Personality / Public / College / Weather / Emergency Test / ALARM! ALARM!

Pour chercher des stations dans une catégorie PTY :

1. Pressez le bouton **PTY/CAT/MENU** (21) pour visionner la catégorie PTY actuelle.
2. Pressez les boutons **SEEK >>|** ou **|<<** (15, 13) pour traverser la liste des catégories disponibles et sélectionnez le type du programme que vous voulez rechercher.
3. Après avoir sélectionné le PTY désiré, pressez le bouton **INFO/ENTER** (14) pour chercher la bande pour des émissions de ce type. « PTY Search » est affiché lorsque le tuner cherche.

**A NOTER : Performer une recherche PTY sur « ANY » va chercher syntonisation et s'arrêter à n'importe quelle station émettant RBDS, peu importe le type de l'émission.**

## Opération Weather Band

### **Qu'est-ce que c'est que le NOAA Weather Radio/Weatheradio Canada?**

Le NOAA (National Oceanic and Atmospheric Administration) est un système national qui émet de l'information météorologique locale d'urgence 24 heures par jour en utilisant le réseau du National Weather Service (NWS). Le réseau des Etats-Unis a plus de 530 stations couvrant 50 états aussi bien que les eaux littorales adjacentes, Puerto Rico, les Virgin Islands et les territoires du Pacifique Américains. Chaque région locale a sa propre station transmettrice et on se sert de sept fréquences de transmission au total. Un système semblable est disponible au Canada sous le service du Weatheradio Canada administré par Environment Canada.

### **Synttoniser au Weatherband**

Pressez et maintenez le bouton **BAND/WB** (9) pour accéder au Weatherband. L'indication "WB" apparaîtra sur le panneau d'affichage avec le numéro actuel et l'indication du canal : "WB-1", « WB-2", "WB-3", "WB-4", "WB-5", "WB-6" ou "WB-7". Les sept fréquences sont montrées dans la table suivante :

**Table 1: WB Frequencies**

Fréquence (MHz)	Préréglé
162.400	2
162.425	4
162.450	5
162.475	3
162.500	6
162.525	-
162.550	1

La table ci-dessus montre aussi quel bouton préréglé va accéder à la fréquence. Notez qu'une fréquence ne peut pas être accéder en utilisant le bouton préréglé. La fréquence ne peut être accédée qu'en utilisant les commandes de syntonisation.

Utilisez les boutons **SEEK >>|** ou **|<<** (15, 13) ou les boutons préréglés pour syntoniser à chacun des sept canaux jusqu'à ce que vous trouviez la station weatherband émettant dans votre région.

### **Combien de stations puis-je recevoir?**

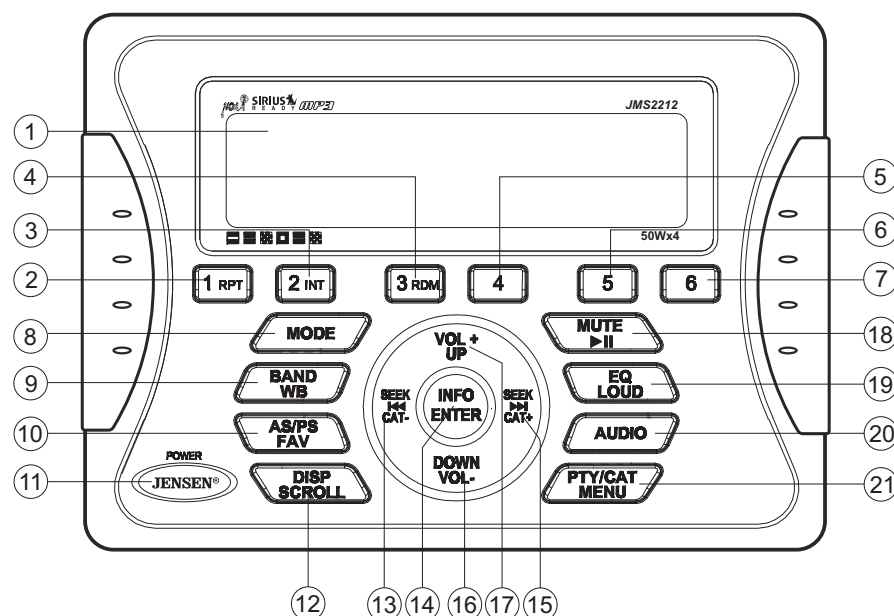
Puisque le contenu des émissions s'agissent des informations et la météo locales, la puissance d'émission est normalement très basse (beaucoup moins que les stations standardisées AM ou FM) de sorte que vous recevriez seulement une stations à moins que vous ne soyez au bord de deux signaux ou plus d'émission. Le maximum que vous pouvez recevoir est deux ou trois, et cela est rare.

### **Est-ce possible que je ne recevrai pas de stations?**

Dépendant d'où vous êtes, il est possible que vous recevrez un signal très faible ou nul. Aussi; semblables aux signaux AM et FM, les signaux weatherband sont sujet aux conditions environnantes; le temps qu'il fait et obstructions du signal par des collines ou des montagnes.

## REPRODUCTION NUMERIQUE DU FICHER

Si l'utilisateur branche un dispositif USB mémoire de la masse, la radio s'allume automatiquement, si nécessaire et change au mode de reproduction des fichiers numérique et sélectionne cette média physique-là. Le coin gauche en bas de l'affichage aux cristaux liquides affiche le nom de la source. Changer des modes ou éteindre la radio font pause dans la reproduction. La reproduction va reprendre exactement à l'endroit où on a fait pause lorsque vous revenez au mode de reproduction numérique des fichiers.



### Insérer un Dispositif USB

Le connecteur USB est à l'arrière de la radio. Insérez un dispositif USB pour changer au mode USB et commencer la reproduction.

### Commander la reproduction des fichiers

#### Sélectionner des fichiers

Pressez le bouton **SEEK >>** (15) ou **SEEK <<** (13) pour avancer jusqu'au prochaine chanson/fichier. Le numéro de chanson sélectionnée va apparaître dans l'affichage. Pressez et maintenez les boutons **SEEK >>** | **<<** pour faire avance ou recul rapides. La reproduction reprend lorsque le bouton est relâché.

#### Reproduction/Suspendre Reproduction

Pressez le bouton **MUTE/>||** (18) pour suspendre la reproduction. « Pause » est affiché sur l'écran. Pressez le bouton **MUTE/>||** de nouveau pour reprendre la reproduction.

#### Reproduction à répétition

- Pressez le bouton **1/RPT** (2) pendant la reproduction du disque pour répéter la chanson actuelle.
- Pressez le bouton **1/RPT** de nouveau pour arrêter la répétition.

#### Prévisionnement des chansons

Pressez le bouton **2/INT** (3) pour jouer les 10 premières secondes de chaque chanson dans le dossier actuel en séquence. Pressez **2/INT** de nouveau pour arrêter le Scan Intro et reprendre la reproduction normale de la chanson actuelle.

#### Reproduction au hasard

- Pressez le bouton **3/RDM** (4) pendant la reproduction du disque pour jouer toutes les chansons dans le dossier actuel dans un ordre mélangé au hasard.
- Pressez le bouton **3/RDM** de nouveau pour arrêter la reproduction au hasard.

#### Navigation du dossier (MP3 Only)

- Pressez le bouton **PTY/CAT/MENU** (21) pour visionner une liste de toutes les chansons dans le dossier actuel.
- Pressez le bouton **PTY/CAT/MENU** de nouveau pour naviguer à travers la structure des fichiers.
- Pressez le bouton **VOL +/UP** (17) et **DOWN/VOL -** (16) pour naviguer la liste.
- Pressez le bouton **INFO/ENTER** (14) pour jouer la chanson surlignée ou visionner des fichiers dans le dossier sélectionné; Continuer à presser **INFO/CENTER** jusqu'à ce que le fichier désiré soit sélectionné.

L'appareil va automatiquement quitter le menu de la navigation du dossier au bout de 5 secondes d'inactivité.

### Caractéristiques MP3

#### Notes sur la reproduction MP3

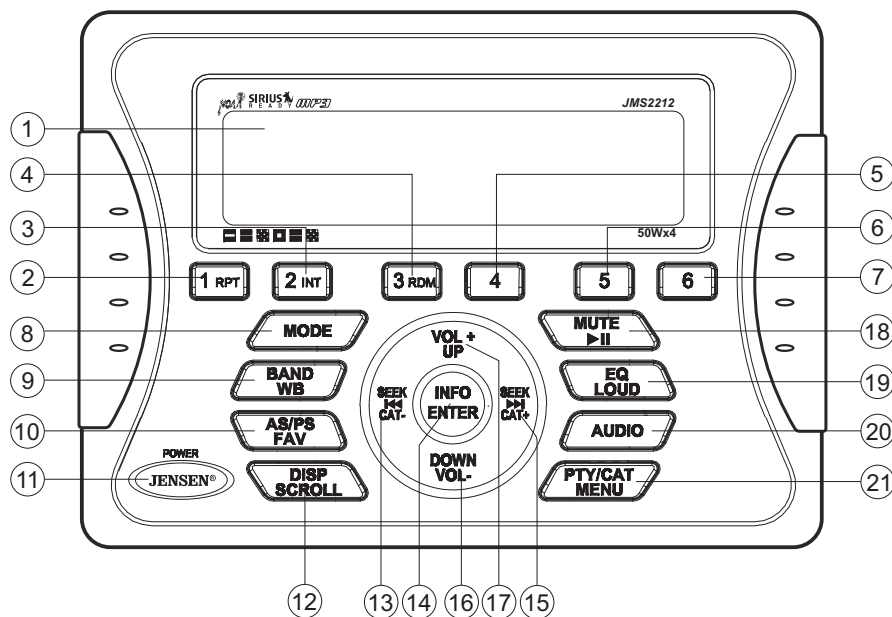
- Tout répertoire qui ne contient pas un fichier MP3 est sauté.
- Le nombre maximum des dossiers : 512 (y compris des répertoires sautés)
- Nombre maximum des niveaux de dossiers : 12
- Nombre maximum des fichiers MP3 : 999
- Nombre maximum des caractères pour un nom de fichier ou de dossier MP3 : 32.
- Cadence d'échantillonnage : 16KHz, 22.05KHz, 24KHz, 32KHz, 44.1KHz, 48KHz
- Débits binaires : maximum 384 Kbps
- Nombre maximum de caractères du Tag ID3 :
  - ID3 Tag version 1.0 : 32
  - ID3 Tag version 2.x : 32

#### L'ordre de reproduction des fichiers

Des fichiers seront joués en séquence à l'intérieur du dossier actuel. Pour jouer des chansons dans un autre dossier; pressez le bouton **PTY/CAT/MENU** (21) deux fois pour aller au niveau du dossier prochain vers le haut. Pressez les boutons **VOL +/UP** (17) et **DOWN/VOL -** (16) pour naviguer la liste et puis pressez le bouton **INFO/ENTER** (14) pour accéder à la chanson ou dossier sélectionnés.

Vous pouvez régler l'ordre dans lequel des fichiers MP3/WMA sont à jouer en les mettant en mémoire avec leur noms de fichiers commençant avec des numéros de séquence tels que « 01 » ou « 99 ».

## OPERATION DE RADIO SIRIUS



**A NOTER : SIRIUS est disponible dans les Etats-Unis pour des inscrits avec des adresses dans les Etats-Unis continental et est disponible au Canada pour des inscrits avec une adresse canadienne. Inscription requise plus un tuner et une antenne compatibles avec SIRIUS sont requis et vendus séparément. Pour vous inscrire à la Radio Satellite SIRIUS sur l'internet, visitez [sirius.com](http://sirius.com) ou appeler 888-539-7474. Gardez votre ID SIRIUS prêt (ID SIRIUS est situé au dos du tuner SIRIUS ou en syntonisant au canal 0). Les émissions SIRIUS sont susceptibles à changer. Visitez [sirius.com](http://sirius.com) pour avoir une composition des canaux et des informations commerciales la plus complète et récente. « SIRIUS » et le logo du chien SIRIUS et les marques apparentées sont les marques déposées de Sirius Satellite Radio Inc. Tous droits réservés.**

### Changer à la Radio Satellite SIRIUS (exige un tuner SIRIUS facultatif)

Pressez le bouton **MODE** (8) autant de fois que nécessaire pour changer le mode au mode radio SIRIUS.

### Accéder à votre ID RADIO SIRIUS

Pour afficher votre ID radio SIRIUS, utiliser le bouton **SEEK** |<<| pour syntoniser au canal « 000 ». L'écran affichera « SIRIUS ID » avec SID affiché au milieu de l'écran de l'affichage aux cristaux liquides. L'ID radio SIRIUS a 12 caractères.

### Sélectionner une bande

En mode SIRIUS, pressez le bouton **BAND/WB** (9) pour accéder aux groupes de canaux préréglés par l'utilisateur dans l'ordre suivant : SR1, SR2, SR3.

### Syntonisation par catégorie

1. Pressez le bouton **PTY/CAT/MENU** (21) pour accéder au mode Catégorie.
2. Lorsque vous êtes en mode catégorie, pressez les boutons **SEEK >>|/CAT+** ou **SEEK |<</CAT-** (15, 13) pour choisir une catégorie.
3. Pressez les boutons **VOL +/-** (17, 16) pour choisir les canaux désirés dans cette catégorie. (Le numéro de canal actuel à l'intérieur de la catégorie choisie sera toujours le premier canal syntonisé par défaut).
4. Pressez le bouton **INFO/ENTER** (14) pour revenir au mode de syntonisation par canal.

### Syntonisation des canaux vers le haut/vers le bas

Pressez les boutons **SEEK |<</ >>|** (13, 15) pour chercher un canal. Pressez et maintenez les boutons **SEEK** pour faire une recherche rapide.

### Mode de syntonisation Directe

1. Pressez et maintenez le bouton **INFO/ENTER** (14) pour entrer le mode de syntonisation directe.
2. Pressez **VOL +/-** (17, 16) pour changer le premier des trois chiffres du canal désiré sur l'écran de l'entrée directe.
3. Pressez le bouton **INFO/ENTER** pour confirmer le chiffre entré et aller au champ du deuxième chiffre.
4. Pressez les boutons **VOL +/-** pour sélectionner le deuxième chiffre.
5. Pressez le bouton **INFO/ENTER** pour confirmer le chiffre entré et aller au champ du troisième chiffre.
6. Pressez **VOL +/-** pour sélectionner le troisième chiffre.
7. Pressez le bouton **INFO/ENTER** pour confirmer le canal à trois chiffres et syntoniser au canal sélectionné.

### Mise en mémoire des canaux préréglés

Les boutons préréglés (1-6) peuvent être utilisés pour mettre 6 canaux en mémoire, permettant un accès convenable à vos canaux favoris.

#### Programmer les canaux

1. Sélectionnez le canal que vous voulez mettre en mémoire.
2. Pressez et maintenez un bouton préréglé 1 à 6 jusqu'à ce que le bouton préréglé correspondant apparaisse.
3. Répétez 1 et 2 pour programmer des canaux supplémentaires.

#### Rappeler des préréglés

Pressez l'un des six boutons préréglés pour sélectionner directement un canal préréglé mis en mémoire dans la bande actuelle.

#### Scanner les préréglés

Pressez le bouton **AS/PS/FAV** (10) pour scanner des stations mises en mémoire dans tous les trois groupes de canaux préréglés par l'utilisateur (SR1, SR2 et SR3). L'appareil fera pause

pendant 10 secondes à chaque station préréglée. Pressez **AS/PS** de nouveau pour arrêter le scan lorsque la station désirée est atteinte.

### Syntonisation des préréglés

En Mode de Syntonisation des Préréglé, vous pouvez utiliser les boutons **SEEK** [**<<** / **>>**] (13, 15) pour accéder à toutes les 18 stations préréglées dans l'ordre séquentiel. Accéder au mode de syntonisation des préréglés par le menu système. Réglez le Preset-Only Tuning à « ON ».

### Mode d'affichage alternatif


Pressez le bouton **DISP/SCROLL** (12) pour changer l'information d'affichage entre affichage du texte en ligne double ou simple. En mode de ligne double, et l'artiste et le titre sont disponible pour visionnement.

Pressez et maintenez le bouton **DISP/SCROLL** pour défiler l'information sur l'Artiste/Titre de Chanson.

Lorsque vous êtes en mode de syntonisation de liste des catégories, pressez le bouton **DISP/SCROLL** en séquence pour changer l'information affichée du nom de Canal, l'Artiste et le Titre de Chanson.

### Force du signal satellite



L'affichage va indiquer la force de la réception satellite comme montrée ci-dessous.

Signal Strength	Strength Display
No Signal	
Weak	
Good	
Excellent	

### Verrouillage de canal

Accéder au Verrouillage de Canal à travers le menu système sous le menu « SIRIUS Satellite Radio ». Voir le « Menu Système » à la page 38.

1. Sélectionner « Set Lock Code ».
2. Aucun canal ne peut être verrouillé avec le code par défaut 0000. Pour régler le code de verrouillage :
  - a. Pressez les boutons **VOL +/-** (17, 16) pour entrer le premier chiffre du code par défaut.
  - b. Pressez le bouton **INFO/ENTER** pour aller au prochain chiffre.
  - c. Répétez les étapes ci-dessus pour tous les quatre chiffres du code par défaut.
  - d. Pressez les boutons **VOL +/-** pour entrer le premier chiffre du code nouveau.
  - e. Pressez le bouton **INFO/ENTER** pour aller au prochain chiffre.
  - f. Répétez les étapes ci-dessus pour entrer les 4 chiffres.
  - g. Répétez les étapes ci-dessus pour confirmer le nouveau code.
8. Après avoir réglé le nouveau code à 4 chiffres, vous pouvez verrouiller les canaux en entrant le menu « Locked Channels ».

9. Lorsque vous entrez la liste des canaux verrouillés, on vous soufflera pour entrer votre code à 4 chiffres.
  - a. Pressez les boutons **VOL +/-** pour entrer le premier chiffre.
  - b. Pressez le bouton **INFO/ENTER** pour aller au prochain chiffre.
  - c. Répétez les étapes ci-dessus pour entrer les 4 chiffres.
4. Après avoir entré le code vous pouvez naviguer la liste en utilisant les boutons **SEEK** [**<<** / **>>**] pour surligner les canaux.
5. Pressez le bouton **INFO/ENTER** (14) pour verrouiller (indiqué par l'icône ) ou ouvrez () le canal sélectionné.

### Favorits (Chercher Chanson/Artiste)

Cette fonction vous permet de mettre en mémoire et de chercher jusqu'à 15 combinaisons Artiste/Chanson sur la radio satellite SIRIUS. Pour activer la notification des favoris, activez Enable Song Seek sous la « SIRIUS Satellite Radio ». Voir « Menu Système » à la page 38.

1. Sélectionnez « Enable Song Seek » du sous-menu « SIRIUS Satellite Radio » sur le Menu Système.
2. Pressez le bouton **INFO/ENTER** (14) pour sélectionner « Yes ».

#### Sélectionner/Régler Chanson ou Artiste Favorit

1. Alors que la chanson actuelle est en train de jouer, pressez et maintenez le bouton **AS/PS/FAV** (10).
2. Pressez le bouton **INFO/ENTER** (14) pour sélectionner l'Artiste à être mis en mémoire ou pressez le bouton **AS/PS/FAV** pour sélectionner la chanson à être mise en mémoire.

La prochaine fois que l'artiste ou la chanson mis en mémoire est joué sur SIRIUS Satellite Radio, vous serez notifié avec une alerte et vous pourriez alors choisir de syntoniser au canal qui jour la chanson ou l'artiste en question.

#### Ôter Chanson ou Artiste Favorit

La liste des Artistes/Chansons mis en mémoire peut être gérée à travers le Menu Système sous le menu « SIRIUS Satellite Radio ». Voir « Menu Système » à la page 38.

1. Sélectionnez « Remove Favorites ».
2. Sélectionnez les articles à être enlevés de la liste de notification.

## OPÉRATION iPod®

Cet appareil est équipé d'une fonction prête pour iPod® qui vous permettra de commander votre iPod (si compatible) utilisant les boutons de panneau de commande. Cet appareil est fabriqué pour des modèles iPod suivants :

- iPod touch (2ème génération)
- iPod touch (1ère génération)
- iPod classic
- iPod nano (6ème génération)
- iPod nano (5ème génération)
- iPod nano (4ème génération)
- iPod nano (3ème génération)
- iPod nano (2ème génération)
- iPod nano (1ère génération)
- iPod avec vidéo
- iPhone
- iPhone 3G
- iPhone 3GS

**A NOTER : Les modèles iPods plus anciens ne sont pas soutenus parce qu'ils ne mettent pas en oeuvre le protocole de commande requis. Aussi; l'iPod Shuffle n'est pas soutenu parce qu'il n'utilise pas le Connecteur iPod Apple à 30 aiguilles. Ces modèles non-soutenus peuvent être branché à la radio en utilisant les Entrées Auxiliaires.**

### Accéder au mode iPod

L'appareil va automatiquement changer au mode iPod lorsqu'un iPod est branché au câble iPod.

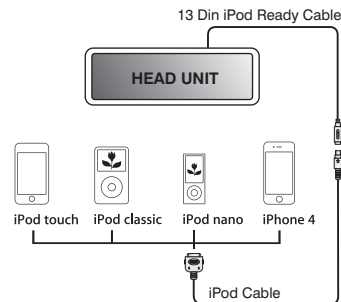
Pour revenir au menu iPod de n'importe quelle autre source, pressez le bouton **MODE** (8) sur la télécommande jusqu'à ce que « iPod » n'apparaisse sur l'affichage.

### Allumer/Eteindre l'iPod

La puissance iPod se met automatiquement en marche lorsqu'un iPod est branché au câble iPod à 30 aiguilles, aussi longtemps que le commutateur d'allumage du véhicule est allumé. Vous pouvez éteindre l'iPod en le débranchant du câble ou en éteignant le commutateur d'allumage.

Lorsque le commutateur d'allumage est éteint, l'iPod fera pause et entrera dans le mode sommeil au bout de 2 minutes. Lorsque l'iPod est branché la puissance ne pas être allumée ou éteinte depuis l'iPod lui-même.

**A NOTER : L'iPod va se recharger de manière continue lorsqu'il est branché à l'appareil, aussi longtemps que le commutateur d'allumage est allumé.**



## Commander la reproduction

### Suspendre la reproduction

Pendant la reproduction, pressez le bouton **MUTE/>>||** (18) pour suspendre le lecteur iPod. « Pause » apparaîtra sur l'affichage aux cristaux liquides. Pressez **MUTE/>>||** de nouveau pour reprendre la reproduction.

### Reproduction à répétition

Pendant la reproduction, pressez le bouton **1/RPT** (2) pour répéter la chanson actuelle. « Repeat » apparaîtra sur l'affichage aux cristaux liquides. Pressez **1/RPT** de nouveau pour arrêter la répétition.

### Reproduction aléatoire

Pendant la reproduction, pressez le bouton **3/RDM** (4) pour jouer toutes les chansons dans la catégorie actuelle dans un ordre aléatoire. La reproduction aléatoire commencera aussitôt que la chanson actuelle s'arrête à jouer. « Shuffle » apparaîtra sur l'affichage aux cristaux liquides. Pressez **3/RDM** de nouveau pour arrêter la reproduction aléatoire.

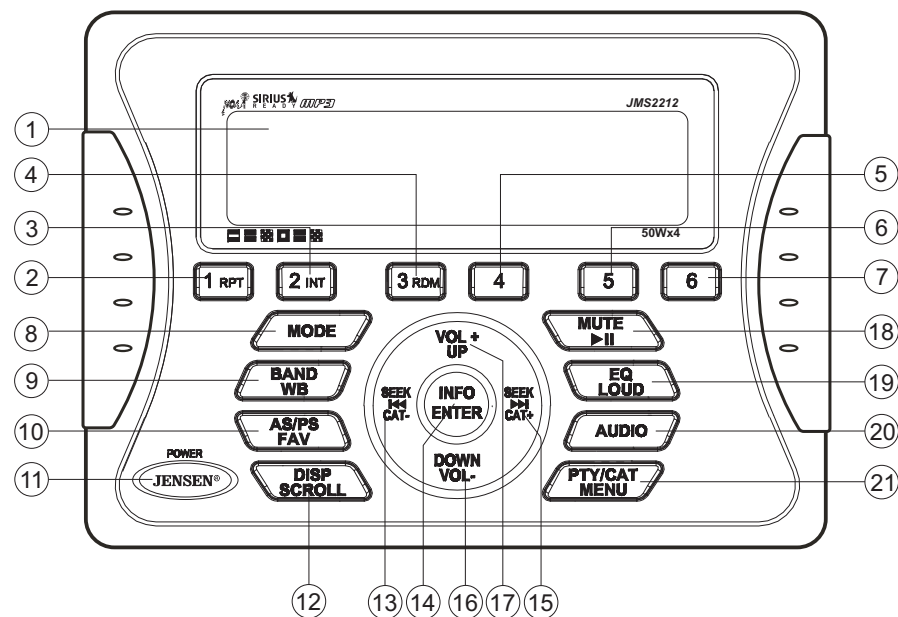
### Sélectionner des chansons

Pendant la reproduction, pressez les boutons **SEEK |<< / >>|** (13, 15) pour jouer la chanson précédente ou prochaine dans la catégorie actuelle. Pressez le bouton **SEEK |<< (13)** une fois pour jouer la chanson depuis le début ou pressez le bouton **SEEK |<<** deux fois pour jouer la chanson précédente.

Pressez et maintenez les boutons **SEEK |<< / >>|** (13, 15) pour faire avance/recul rapides.

**A NOTER : Si vous pressez et maintenez les boutons SEEK |<< / >>| pour changer la chanson actuelle à la chanson précédente/prochaine, vous quitterez le mode d'avance/recul rapides.**





### Information d'affichage alternatif

Pressez le bouton **DISP/SCROLL** (12) pour changer l'information d'affichage dans l'ordre suivant : ARTIST NAME > SONG TITLE > FOLDER NAME.

### Chercher la liste d'écoute

Pressez le bouton **PTY/CAT/MENU** (21) pour accéder au mode de sélection Liste d'écoute. Alors que vous êtes en mode Catégorie, pressez les boutons **VOL +/-** (17, 16) pour choisir recherche fichier par Liste d'écoute, l'Artiste, l'Album, Genre, Chanson, Audiobook ou Podcast. Pressez le bouton **INFO/ENTER** (14) pour sélectionner le mode recherche. Utilisez les boutons **VOL +/-** pour chercher des fichiers disponibles sur l'iPod. Pressez le bouton **INFO/ENTER** pour jouer la chanson ou le fichier sélectionné.

## SOIN ET ENTRETIEN

- Gardez le produit sec. S'il devient moite, essuyez tout de suite. Des liquides peuvent contenir des minéraux qui peuvent endommager les circuits électroniques.
- Gardez le produit loin de la poussière et des ordures, qui peut prématurément usé les parties.
- Manipuler le produit doucement et avec soin. Si vous le laissez tomber, cela peut endommager les bords de circuits, et peut produire un mauvais fonctionnement du produit.
- Essuyez le produit de temps en temps avec un tissu moite pour qu'il paraisse neuf. N'utilisez pas de produits chimiques corrosifs, des détergents, ou des solutions de nettoyage pour nettoyer le produit.
- Utilisez et gardez le produit dans des températures normales. Des hautes températures peuvent raccourcir la vie des produits électroniques, endommager les piles, et fondre les plastiques.

### Allumage

La source de bruit le plus commun dans la réception est l'allumage. Cela résulte de l'emplacement de la radio près du système d'allumage (le moteur). Ce type de bruit peut être facilement détecté parce que son intensité variera avec la vitesse du moteur.

Normalement, le bruit de l'allumage peut être supprimé en utilisant un fil d'allumage haut voltage du type suppression de la radio et un résisteur suppresseur dans le système d'allumage. (La plupart des vaisseaux utilise ce fil et résisteur, mais il peut être nécessaire de les contrôler pour une opération bonne). Une autre méthode de suppression est d'utiliser les suppresseurs de bruit supplémentaires. On peut les procurer des magasins de radio et fournitures électroniques CB/A.

### Interférence

La réception radio dans un environnement mobile est très différent de la réception radio dans un environnement stationnaire. Il est très important de comprendre cette différence.

La réception AM va se détériorer lorsque vous passez sous un pont ou sous les lignes de haut voltage. Bien que AM soit sujet à des bruits environnementaux, il a la capacité de recevoir à une grande distance. Ceci parce que les signaux de transmission suivent la courbe de la terre et sont réfléchis par l'atmosphère supérieur.

## DÉPANNAGE

Symptôme	Cause	Solution
Pas de puissance	L'interrupteur accessoire du vaisseau n'est pas en marche	Si l'alimentation est bien branchée à la borne accessoire du vaisseau, changez le commutateur d'allumage à ACC
	Le fusible est sauté	Remplacez le fusible
Pas de son	Le volume est trop bas	Ajustez le volume à un niveau audible
	Le câblage n'est pas bien branché	Vérifiez les connexions
Les clés d'opération ne fonctionnent pas	L'ordinateur encastré ne fonctionne pas à cause du bruit	Appuyez sur le bouton <b>RESET</b>
Ne peut pas syntoniser à une station de radio, auto-recherche ne fonctionne pas	Le câble d'antenne n'est pas branché	Insérez le câble d'antenne
	Les signaux sont trop faibles	Sélectionnez une station à la main



## CARACTERISTIQUES

### FM Radio

Plage de balayage (USA) .....	87.5 à 107.9 MHz
Plage de balayage (Europe) .....	87.5 à 108 MHz
Sensibilité (S/N=30dB) .....	4 $\mu$ V
Rejet de l'image .....	>45 dB
Séparation des voies .....	>25 dB

### AM/MW

Bande de fréquence (USA) .....	530-1710 kHz
Bande de fréquence (Europe) .....	522-1620 kHz
Sensibilité (S/N=20dB) .....	36 dB

### General

Voltage d'opération .....	DC 12 Volts
Installation de mise à la terre .....	Negative Ground
Impédance d'haut parleur .....	4-8 ohms per channel
Commande de tonalités :	
Basse (à 100 Hz) .....	: $\pm$ 10 dB
Aigu (à 10 kHz) .....	: $\pm$ 10 dB
Sortie Puissance .....	50W x 4
Current Drain .....	15 Ampere (max.)
Commandeur Dimensions .....	.5.15" (W) x 1.2" (D) x 3.7" (H)
Tuner/Amp Dimensions .....	.8.35" (W) x 6.55" (D) x 2.4" (H)



[www.asaelectronics.com](http://www.asaelectronics.com)  
[www.jensenmarinedirect.com](http://www.jensenmarinedirect.com)  
© 2011 ASA Electronics Corporation  
v.021611